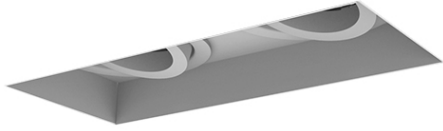


EIGER LED 2 PLASTER IN ADJUSTABLE DOWNLIGHT

TRUE COLOUR CRI 98 | IP54

DLD/EIG2-P-A

DLD
CONTRACT



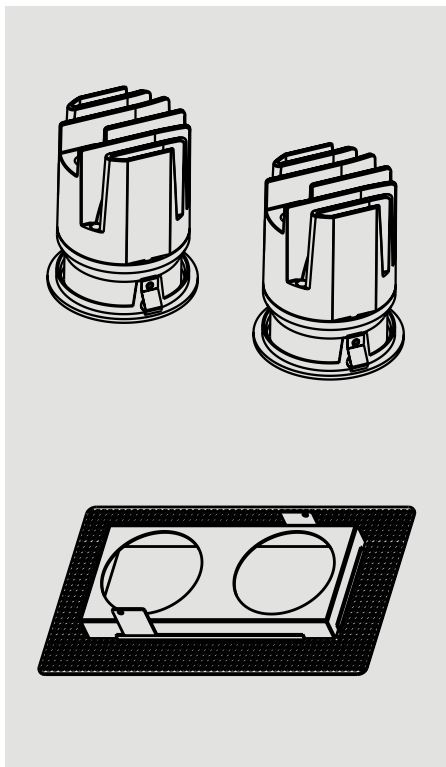
DETAILS

Type	Adjustable 24°
IP Rating	IP54
IP Zone	Zone 2
Class	I
Standards	CE
Fire Rated	60+ minutes
Material	Aluminium
Cable	2 Core 0.5mm ²
Cable Length	400mm
Warranty	5 Years

KEY POINTS

- True Colour CRI 98, amazingly high level of colour rendering
- R9 95, reds are redder than ever
- Simple access to the light engine for easy maintenance
- Dim to dark with our range of fully tested drivers

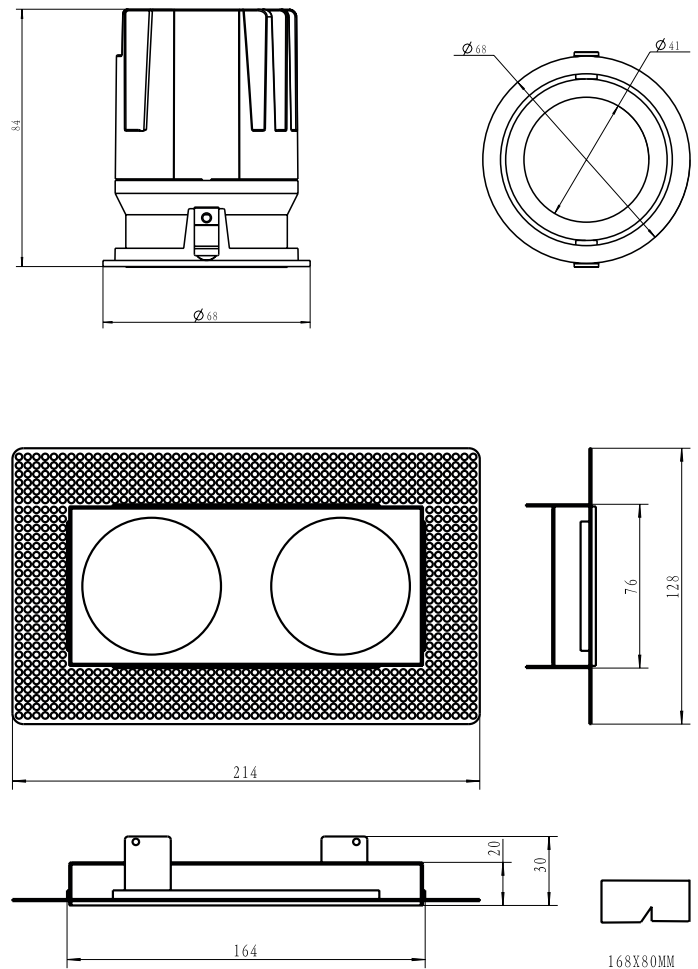
DIMENSIONS



Fitted Dims: 164mm x 76mm
Light Engine: Ø68mm, H.85mm (x2)
Aperture: Ø41mm (x2)
Plaster Kit: 214mm x 128mm H.30mm
Total Height: 101mm
Cutout: 168mm x 80mm

Adjustable

Tilt: 24°
Rotation: 355°



TRUE COLOUR 98 CRI

EIGER LED 2 PLASTER IN ADJUSTABLE DOWNLIGHT

TRUE COLOUR CRI 98 | IP54

DLD/EIG2-P-A



PRODUCT CODE CONSTRUCTION

PRODUCT CODE PREFIX	FINISH	LIGHT TEMP. CCT	BEAM ANGLE	DRIVER
DLD/EIG2-P-A	W	27K	24D	MD
<p>APPLICATION VERSION</p> <p>P Plaster In A Adj.</p> <p>R Recessed F Fixed</p>	<p>W White</p> <p>B Black</p>	<p>27K 2700K</p> <p>30K 3000K</p> <p>40K 4000K</p>	<p>15D 15°</p> <p>24D 24°</p> <p>36D 36°</p>	<p>No driver</p> <p>MD TRIAC dim.</p> <p>010 0-10V dim.</p> <p>D DALI dim.</p>

SPECIFICATION

	2700K			3000K			4000K		
BEAM ANGLE	15°	24°	36°	15°	24°	36°	15°	24°	36°
Delivered lumens*	1482lm	1456lm	1430lm	1638lm	1612lm	1560lm	Available On Request		
*(Tc 85°C, +/-7%)									
Efficacy Lm/W	114	112	110	126	124	120	Available On Request		
Binning SDCM (Hot)							2		
CRI							98		
R9							95		
TM30 Rf Rg							Rf 95 Rg 95		
LED Type	Luminus XNova™ Generation 2 CXM-9 COB LED								
LED Lifetime (Ave.)	50,000 hrs								
POWER									
Wattage	13W								
Voltage	220-240V								
Current	350mA								
DRIVER									
Supported Protocols	Mains Dim / TRIAC / 0-10V / DALI / Bluetooth								
Dim to Dark	0.1% Lux								
Distance from Luminaire	20m maximum								
Wiring	Series								
Emergency	Emergency packs available								

01189 889414

enquiries@dld-contract.co.uk

dld-contract.co.uk

DLD Contract Ltd
 Unit 9 Brookside Business Centre
 Church Road
 Swallowfield
 Reading
 Berkshire
 RG7 1TH