

# EIGER LED 1-S ADJUSTABLE DOWNLIGHT

TRUE COLOUR CRI 98 | IP54

DLD/EIG1-S-R-A

**DLD**  
CONTRACT



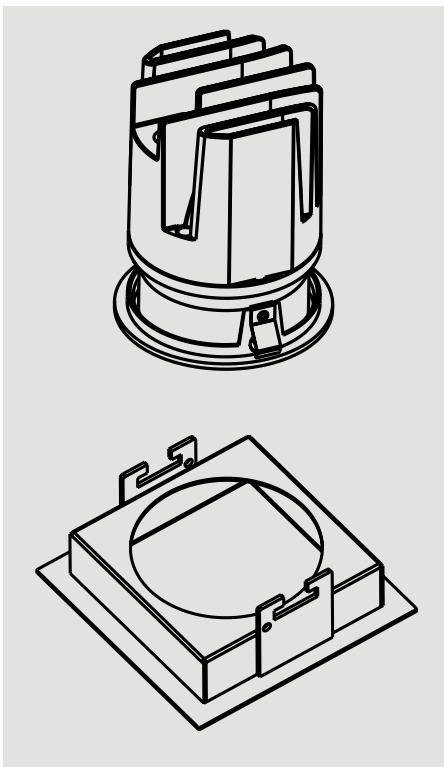
## DETAILS

Type	Adjustable 24°
IP Rating	IP54
IP Zone	Zone 2
Class	I
Standards	CE
Fire Rated	60+ minutes
Material	Aluminium
Cable	2 Core 0.5mm <sup>2</sup>
Cable Length	400mm
Warranty	5 Years

## KEY POINTS

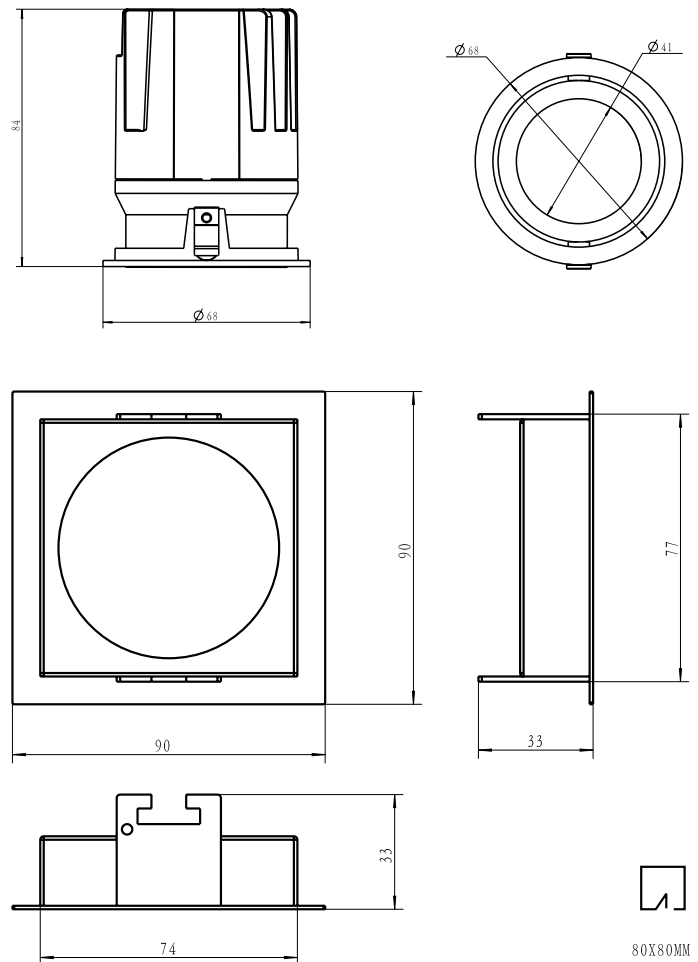
- True Colour CRI 98, amazingly high level of colour rendering
- R9 95, reds are redder than ever
- Simple access to the light engine for easy maintenance
- Dim to dark with our range of fully tested drivers

## DIMENSIONS



**Light Engine:** Ø68mm, H.85mm  
**Aperture:** Ø41mm  
**Frame:** 90mm x 90mm H.33mm  
**Total Height:** 105mm  
**Cutout:** 80mm x 80mm

**Adjustable**  
**Tilt:** 24°  
**Rotation:** 355°



TRUE COLOUR 98 CRI

# EIGER LED 1-S ADJUSTABLE DOWNLIGHT

TRUE COLOUR CRI 98 | IP54

DLD/EIG1-S-R-A



## PRODUCT CODE CONSTRUCTION

PRODUCT CODE PREFIX	FINISH	LIGHT TEMP. CCT	BEAM ANGLE	DRIVER
<b>DLD/EIG1-S-R-A</b>	<b>W</b>	<b>27K</b>	<b>24D</b>	<b>MD</b>
SHAPE APPLICATION VERSION <b>R</b> Round <b>P</b> Plaster In <b>A</b> Adj. <b>S</b> Square <b>R</b> Recessed <b>F</b> Fixed	<b>W</b> White <b>B</b> Black	<b>27K</b> 2700K <b>30K</b> 3000K <b>40K</b> 4000K	<b>15D</b> 15° <b>24D</b> 24° <b>36D</b> 36°	No driver <b>MD</b> TRIAC dim. <b>010</b> 0-10V dim. <b>D</b> DALI dim.

## SPECIFICATION

	2700K			3000K			4000K		
<b>BEAM ANGLE</b>	<b>15°</b>	<b>24°</b>	<b>36°</b>	<b>15°</b>	<b>24°</b>	<b>36°</b>	<b>15°</b>	<b>24°</b>	<b>36°</b>
Delivered lumens*	741 lm	728 lm	715 lm	819 lm	806 lm	780 lm	Available On Request		
*(Tc 85°C, +/-7%) Efficacy Lm/W	57	56	55	63	62	60	Available On Request		
Binning SDCM (Hot)	2								
CRI	98								
R9	95								
TM30 Rf Rg	Rf 95 Rg 95								
LED Type	Luminus XNova™ Generation 2 CXM-9 COB LED								
LED Lifetime (Ave.)	50,000 hrs								
<b>POWER</b>									
Wattage	13W								
Voltage	220-240V								
Current	350mA								
<b>DRIVER</b>									
Supported Protocols	Mains Dim / TRIAC / 0-10V / DALI / Bluetooth								
Dim to Dark	0.1% Lux								
Distance from Luminaire	20m maximum								
Wiring	Series								
Emergency	Emergency packs available								

 **01189 889414**

 **enquiries@dld-contract.co.uk**

 **dld-contract.co.uk**

DLD Contract Ltd  
Unit 9 Brookside Business Centre  
Church Road  
Swallowfield  
Reading  
Berkshire  
RG7 1TH