

# ANDES LED 2 FIXED DOWNLIGHT

TRUE COLOUR CRI 98 | IP65

DLD/ANDE2-R-F

**DLD**  
**CONTRACT**



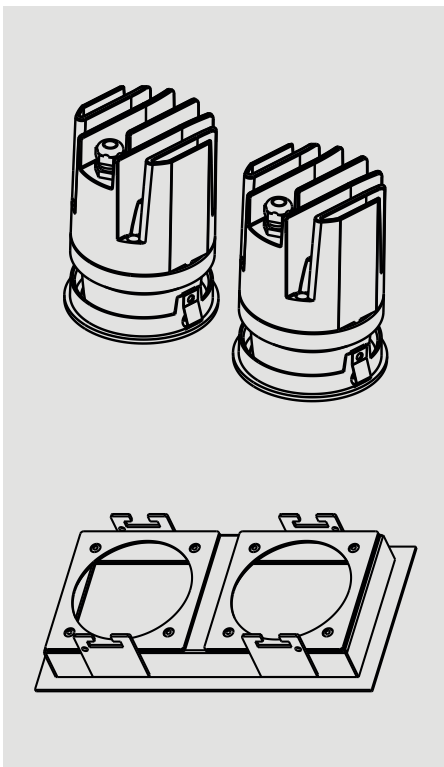
## DETAILS

Type	Fixed
IP Rating	IP65
IP Zone	Zone 1 & 2
Class	I
Standards	CE
Fire Rated	60+ minutes
Material	Aluminium
Cable	2 Core 0.5mm <sup>2</sup>
Cable Length	400mm
Warranty	5 Years

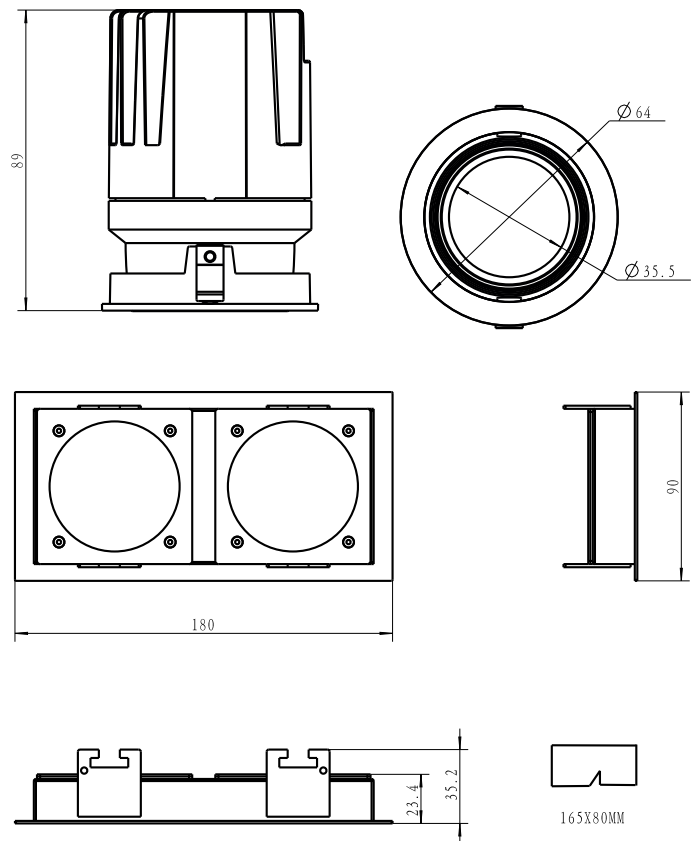
## KEY POINTS

- True Colour CRI 98, amazingly high level of colour rendering
- R9 95, reds are redder than ever
- Simple access to the light engine for easy maintenance
- Dim to dark with our range of fully tested drivers

## DIMENSIONS



**Light Engine:** Ø64mm, H.89mm  
**Aperture:** Ø35.5mm  
**Frame:** 180mm x 90mm H.35.2mm  
**Total Height:** 105mm  
**Cutout:** 165mm x 80mm



TRUE COLOUR 98 CRI

# ANDES LED 2 FIXED DOWNLIGHT

TRUE COLOUR CRI 98 | IP65

DLD/ANDE2-R-F



## PRODUCT CODE CONSTRUCTION

PRODUCT CODE PREFIX	FINISH	BAFFLE	LIGHT TEMP. CCT	BEAM ANGLE	DRIVER
<b>DLD/ANDE2-R-F</b>	<b>W</b>	<b>B</b>	<b>27K</b>	<b>24D</b>	<b>010</b>
APPLICATION    VERSION <b>P</b> Plaster In <b>A</b> Adj. <b>R</b> Recessed <b>F</b> Fixed	<b>W</b> White <b>B</b> Black	<b>W</b> White <b>B</b> Black <b>G</b> Gold	<b>27K</b> 2700K <b>30K</b> 3000K <b>40K</b> 4000K	<b>15D</b> 15° <b>24D</b> 24° <b>36D</b> 36°	No driver <b>MD</b> TRIAC dim. <b>010</b> 0-10V dim. <b>D</b> DALI dim.

## SPECIFICATION

	2700K			3000K			4000K		
<b>BEAM ANGLE</b>	15°	24°	36°	15°	24°	36°	15°	24°	36°
Delivered lumens*	1170 lm	1456 lm	1586 lm	1248 lm	1560 lm	1490 lm	Available On Request		
*(Tc 85°C, +/-7%)									
Efficacy Lm/W	90	112	122	96	120	130	Available On Request		
Binning SDCM (Hot)	2								
CRI	98								
R9	95								
TM30 Rf Rg	Rf 95 Rg 95								
LED Type	Luminus XNova™ Generation 2 CXM-9 COB LED								
LED Lifetime (Ave.)	50,000 hrs								
<b>POWER</b>									
Wattage	2 x 13W								
Voltage	220-240V								
Current	350mA								
<b>DRIVER</b>									
Supported Protocols	Mains Dim / TRIAC / 0-10V / DALI / Bluetooth								
Dim to Dark	0.1% Lux								
Distance from Luminaire	20m maximum								
Wiring	Series								
Emergency	Emergency packs available								

**01189 889414**

**enquiries@dld-contract.co.uk**

**dld-contract.co.uk**

DLD Contract Ltd  
 Unit 9 Brookside Business Centre  
 Church Road  
 Swallowfield  
 Reading  
 Berkshire  
 RG7 1TH