

ANDES LED 1-R ADJUSTABLE DOWNLIGHT

TRUE COLOUR CRI 98 | IP54

DLD/ANDE1-R-R-A

DLD
CONTRACT



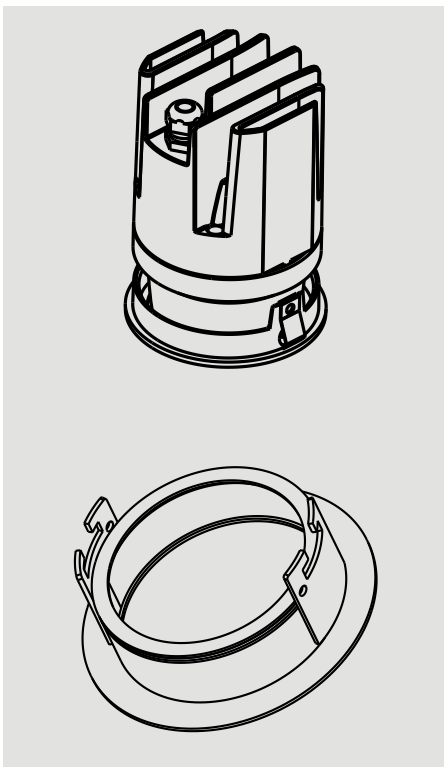
DETAILS

Type	Adjustable 24°
IP Rating	IP54
IP Zone	Zone 2
Class	I
Standards	CE
Fire Rated	60+ minutes
Material	Aluminium
Cable	2 Core 0.5mm ²
Cable Length	400mm
Warranty	5 Years

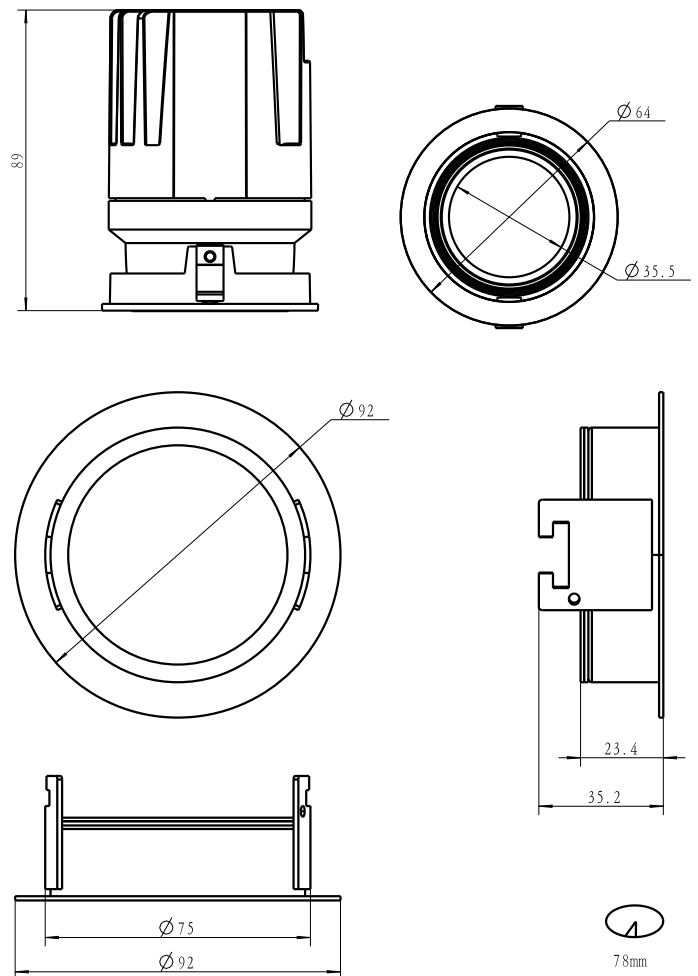
KEY POINTS

- True Colour CRI 98, amazingly high level of colour rendering
- R9 95, reds are redder than ever
- Simple access to the light engine for easy maintenance
- Dim to dark with our range of fully tested drivers

DIMENSIONS



Light Engine: Ø64mm, H.89mm
Aperture: Ø35.5mm
Frame: Ø92mm, H.35.2mm
Total Height: 105mm
Cutout: Ø78mm



TRUE COLOUR CRI 98

ANDES LED 1-R ADJUSTABLE DOWNLIGHT

TRUE COLOUR CRI 98 | IP54

DLD/ANDE1-R-R-A



PRODUCT CODE CONSTRUCTION

PRODUCT CODE PREFIX	FINISH	BAFFLE	LIGHT TEMP. CCT	BEAM ANGLE	DRIVER
DLD/ANDE1-R-R-A	W	B	27K	24D	MD
R Round P Plaster In A Adj. S Square R Recessed F Fixed	W White B Black	W White B Black G Gold	27K 2700K 30K 3000K 40K 4000K	15D 15° 24D 24° 36D 36°	No driver MD TRIAC dim. 010 0-10V dim. D DALI dim.

SPECIFICATION

	2700K			3000K			4000K		
BEAM ANGLE	15°	24°	36°	15°	24°	36°	15°	24°	36°
Delivered lumens*	585 lm	728 lm	793 lm	624 lm	780 lm	745 lm	Available On Request		
*(Tc 85°C, +/-7%)									
Efficacy Lm/W	45	56	61	48	60	65	Available On Request		
Binning SDCM (Hot)	2								
CRI	98								
R9	95								
TM30 Rf Rg	Rf 95 Rg 95								
LED Type	Luminus XNova™ Generation 2 CXM-9 COB LED								
LED Lifetime (Ave.)	50,000 hrs								
POWER									
Wattage	13W								
Voltage	220-240V								
Current	350mA								
DRIVER									
Supported Protocols	Mains Dim / TRIAC / 0-10V / DALI / Bluetooth								
Dim to Dark	0.1% Lux								
Distance from Luminaire	20m maximum								
Wiring	Series								
Emergency	Emergency packs available								

01189 889414

enquiries@dld-contract.co.uk

dld-contract.co.uk

DLD Contract Ltd
 Unit 9 Brookside Business Centre
 Church Road
 Swallowfield
 Reading
 Berkshire
 RG7 1TH