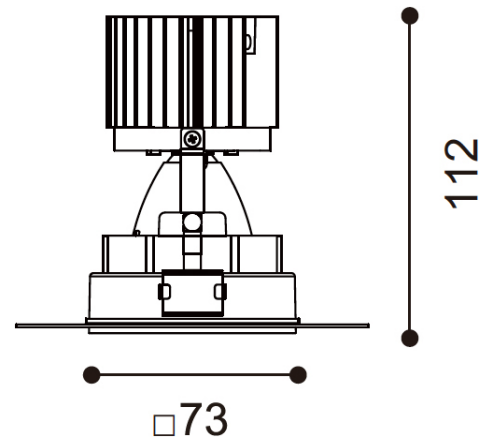


EIGER 1-S

LED PLASTER-IN ADJUSTABLE DOWNLIGHT
DLD/EIGER1-S/PL/AD

DLD
CONTRACT



Dimensions

73 x 73mm, H.112mm

Cutout

78 x 78mm



- Removable light engine - simple twist mechanism
- IP20
- Adjustable tilt: 30°
- Adjustable rotation: 355°
- Complete with phase dimming driver
- Die-cast aluminium luminaire
- Forged aluminium heat sink
- Plastic PC reflector
- Bezel finish: white / black

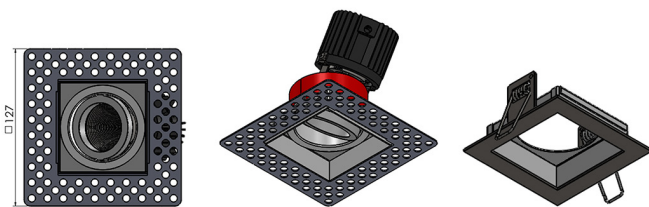
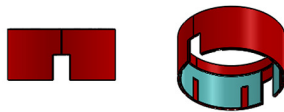
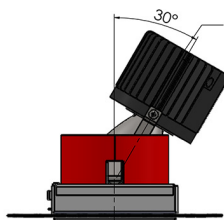
EIGER 1-S

LED PLASTER-IN ADJUSTABLE DOWNLIGHT
DLD/EIGER1-S/PL/AD

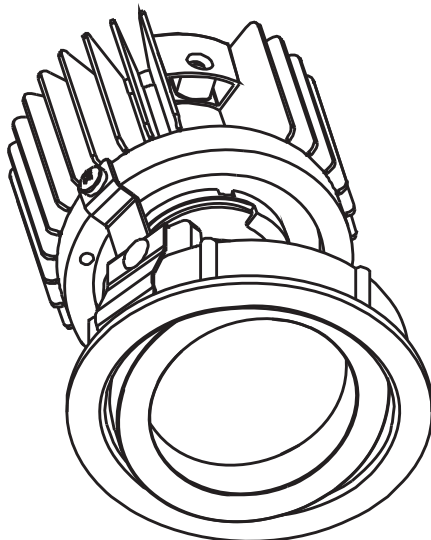


TECHNICAL OVERVIEW

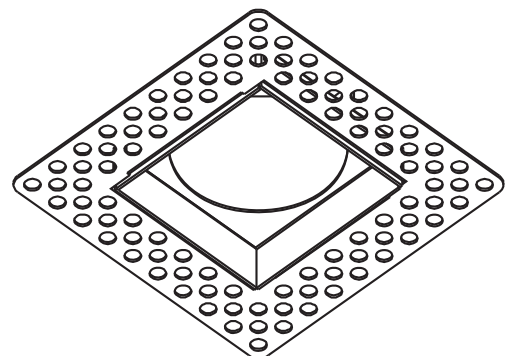
Power	Current	Voltage	LED	IP Rating	Nominal Flux	CCT	Beam Angle	CRI	Dimming
12.9W	350mA	36.7V	CITIZEN	IP20	1456lm	2700°K	20°/40°	90+	Yes
12.9W	350mA	36.7V	CITIZEN	IP20	1524lm	3000°K	20°/40°	90+	Yes
12.9W	350mA	36.7V	CITIZEN	IP20	1576lm	4000°K	20°/40°	90+	Yes



Fire rated canister diagram



Adjustable by 30° IP20
H. 112mm



78 x 78mm
cutout: 73 x 73mm

EIGER 1-S

LED PLASTER-IN ADJUSTABLE DOWNLIGHT
DLD/EIGER1-S/PL/AD

DLD
CONTRACT

PRODUCT CODE CONSTRUCTION

EIGER 1-S LED PLASTER IN ADJUSTABLE DOWNLIGHT

DLD/EIGER1-S/PL/AD / **[X]** / **[X]** / **[X]** / **[X]** / **[X]**

FIRE RATED:

[--] **[FRC]**

None Fire rated canister

LIGHT COLOUR TEMPERATURE (CCT):

[27K] **[30K]** **[40K]**

2700°K 3000°K 4000°K

BEAM ANGLE:

[20D] **[40D]**

20° 40°

WATTAGE:

[13W]

12.9W

FINISH:

[WH] **[BK]**

White Black



01189 889414



enquiries@dld-contract.co.uk



dld-contract.co.uk

DLD Contract Ltd
Unit 9 Brookside Business Centre
Church Road
Swallowfield
Reading
Berkshire
RG7 1TH