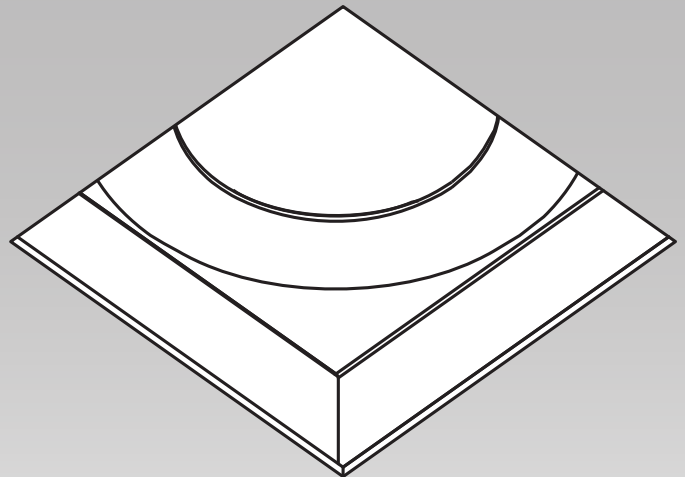
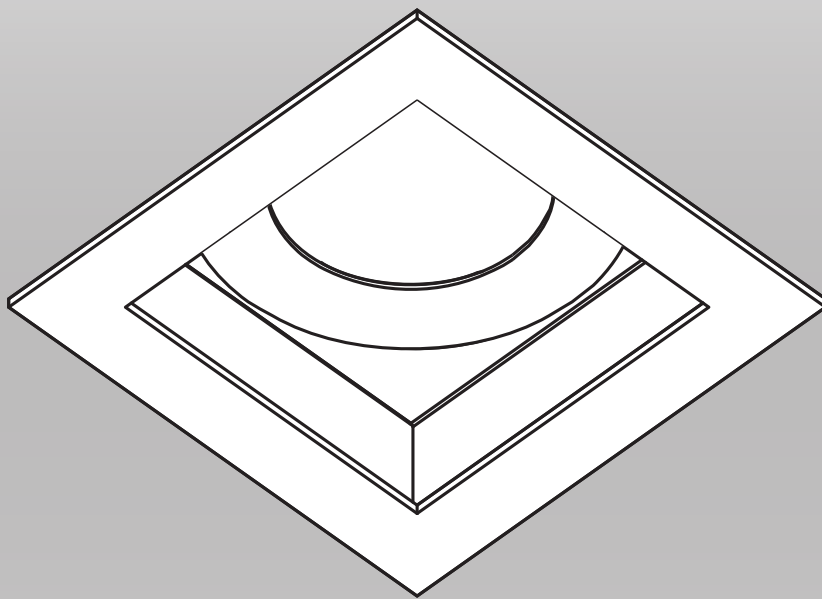
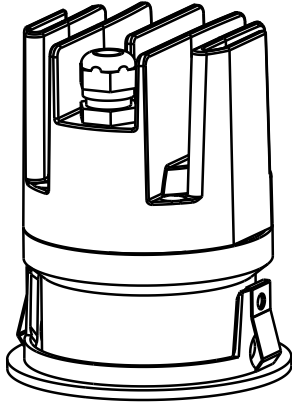


EIGER MINI
INSTALLATION INSTRUCTIONS
FRAME & PLASTER-IN VERSIONS

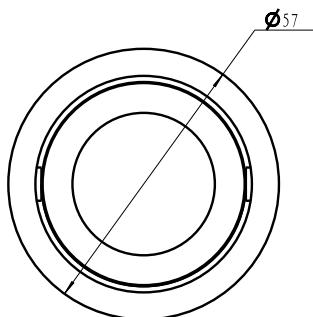
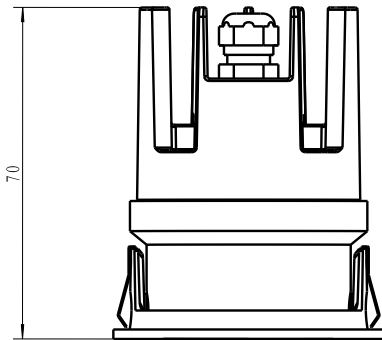
DLD
CONTRACT



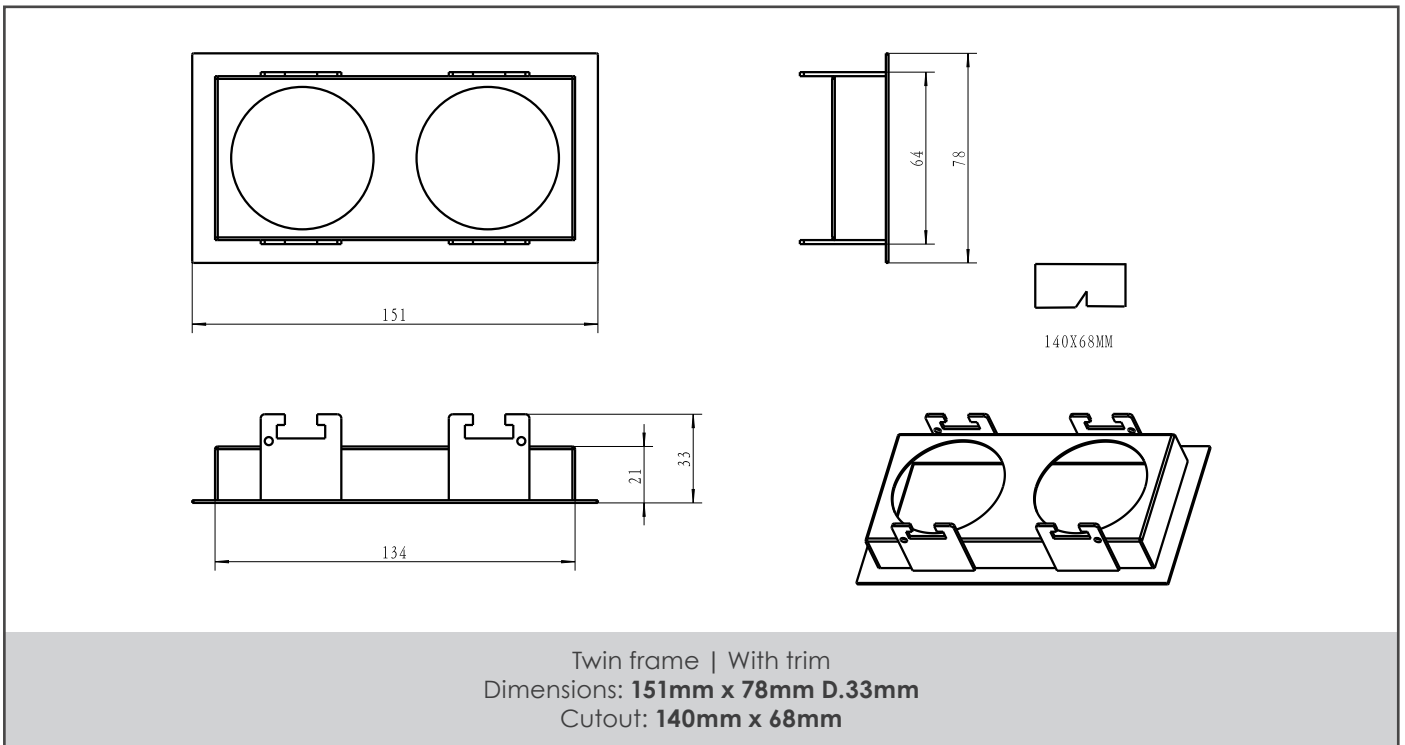
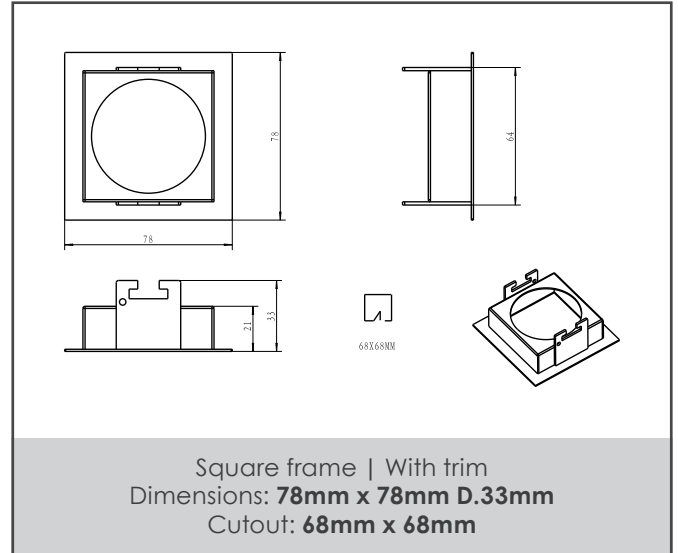
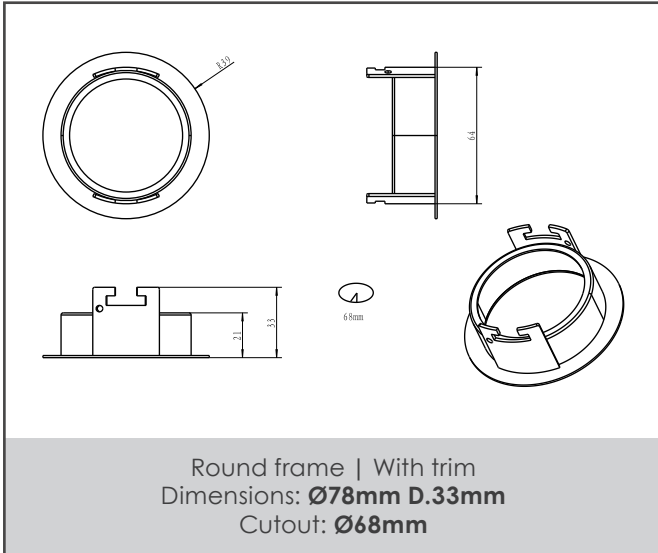
LED LIGHT ENGINES



Adjustable by 24° IP54



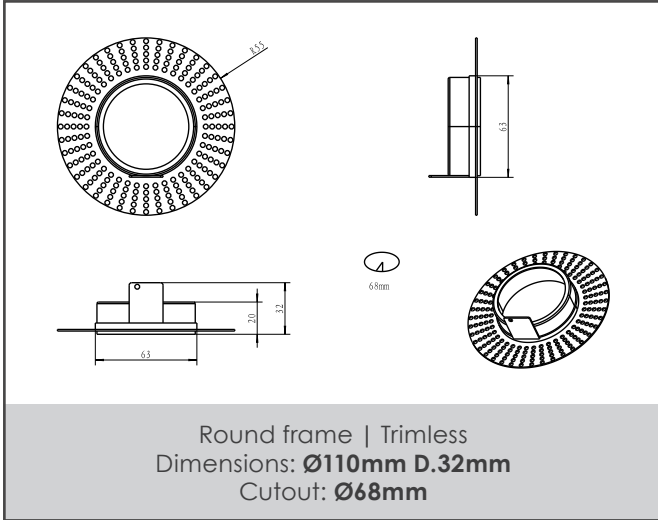
FRAME WITH TRIM | CUT OUT SIZES



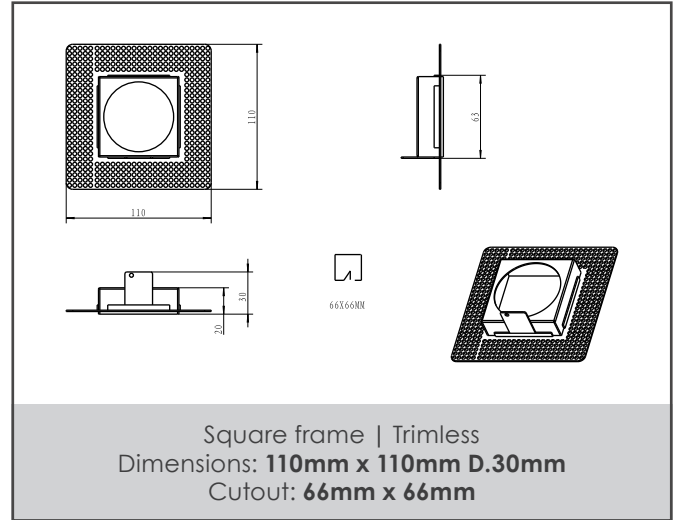
EIGER MINI
INSTALLATION INSTRUCTIONS
FRAME & PLASTER-IN VERSIONS



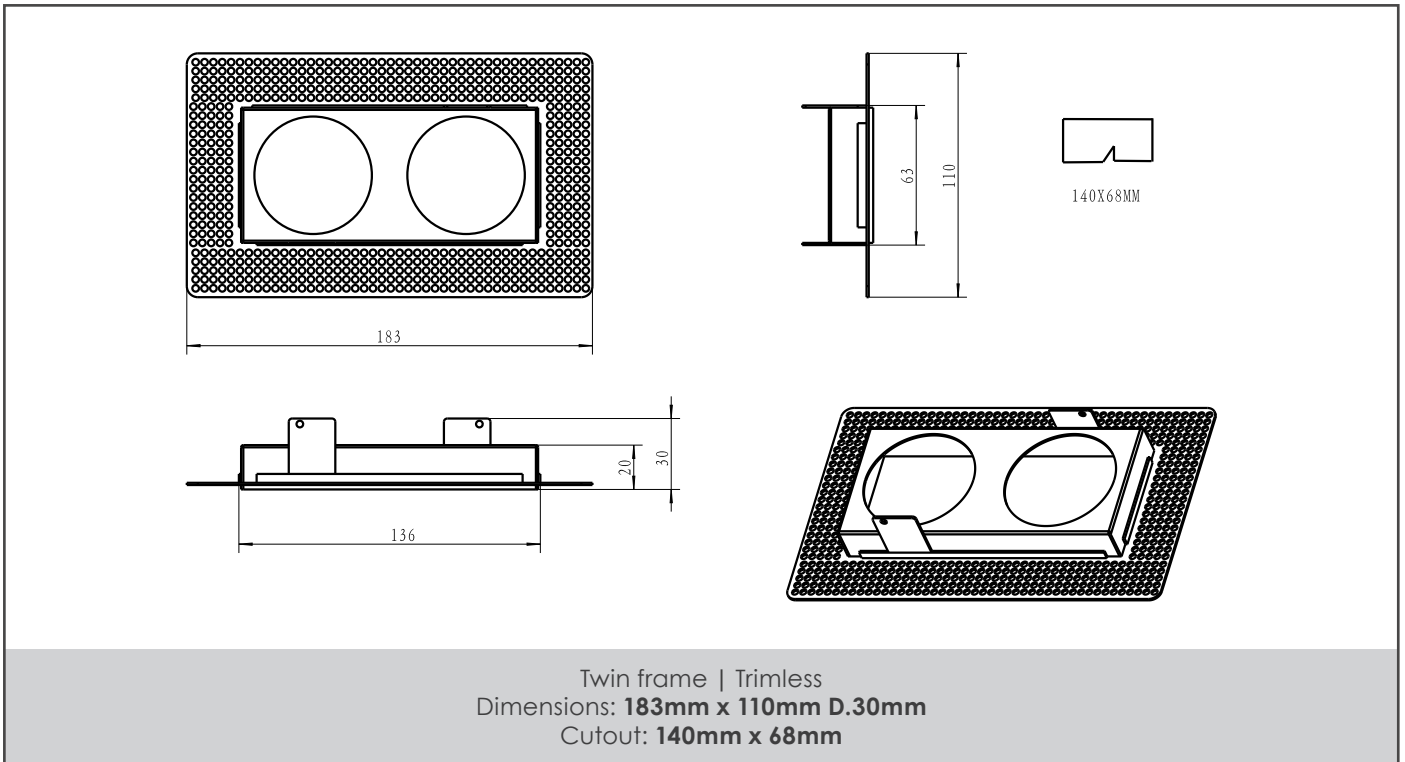
TRIMLESS PLASTER-IN FRAME | CUT OUT SIZES



Round frame | Trimless
Dimensions: **Ø110mm D.32mm**
Cutout: **Ø68mm**



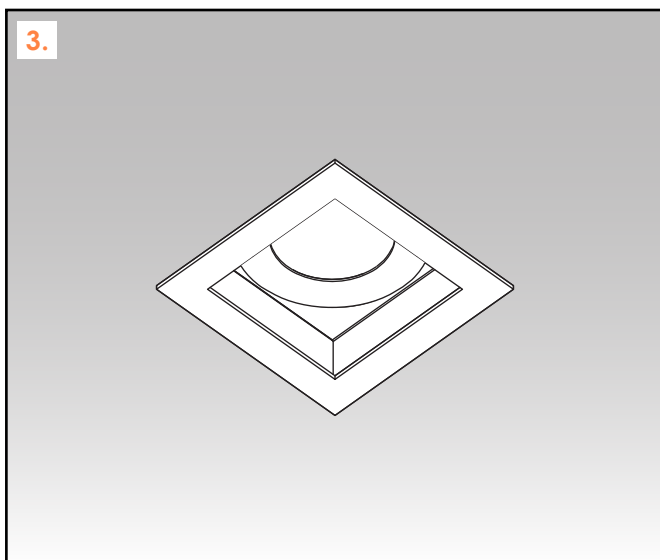
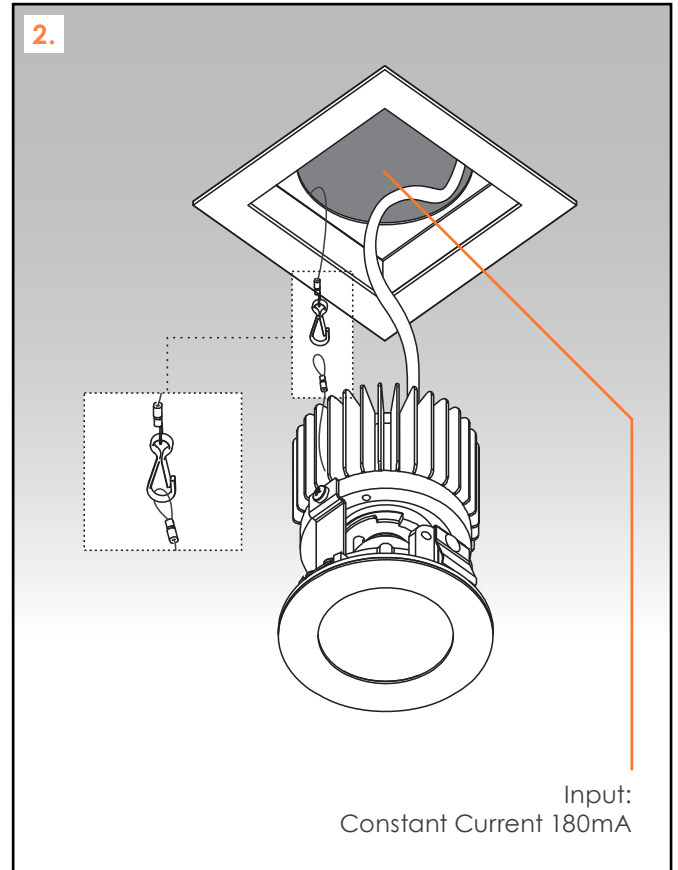
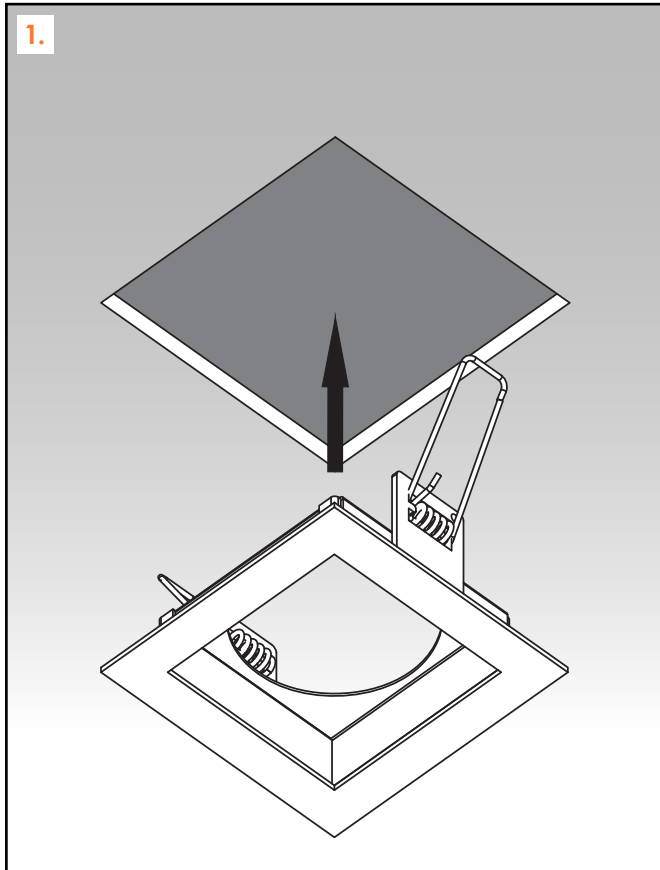
Square frame | Trimless
Dimensions: **110mm x 110mm D.30mm**
Cutout: **66mm x 66mm**



Twin frame | Trimless
Dimensions: **183mm x 110mm D.30mm**
Cutout: **140mm x 68mm**

INSTALLATION INSTRUCTIONS - EIGER WITH FRAME

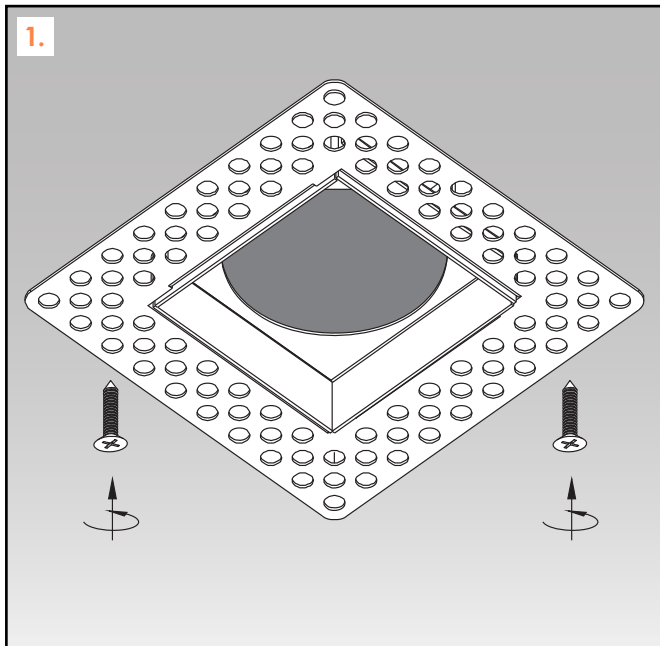
It is recommended that this product is fitted by a qualified electrician.
Ensure that the power supply is turned off. Follow the steps below for installation or lamp replacement.
Once all steps have been completed, check that all screws are tightened before connecting the power supply.



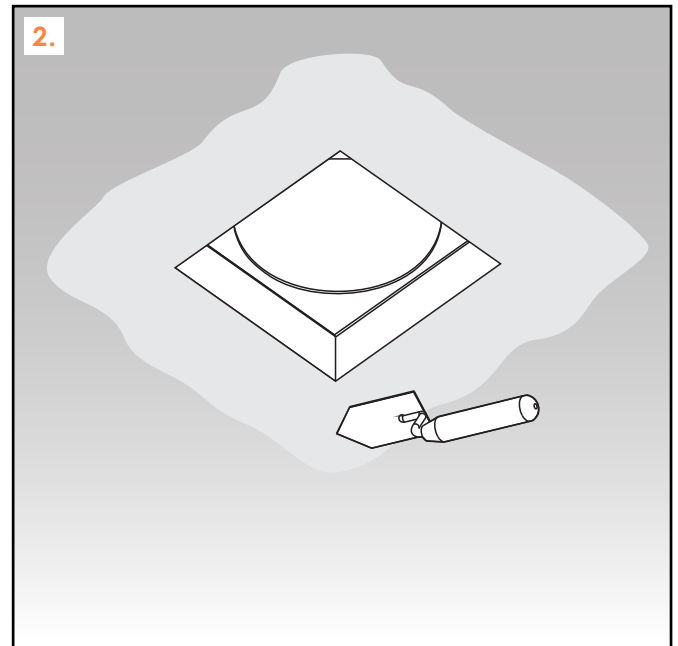
Only remove the protective plastic film from the lens **after** installation. For subsequent handling post-install, avoid contact with the lens if possible. Use cotton gloves if contact with the lens is unavoidable.

INSTALLATION INSTRUCTIONS - EIGER PLASTER IN

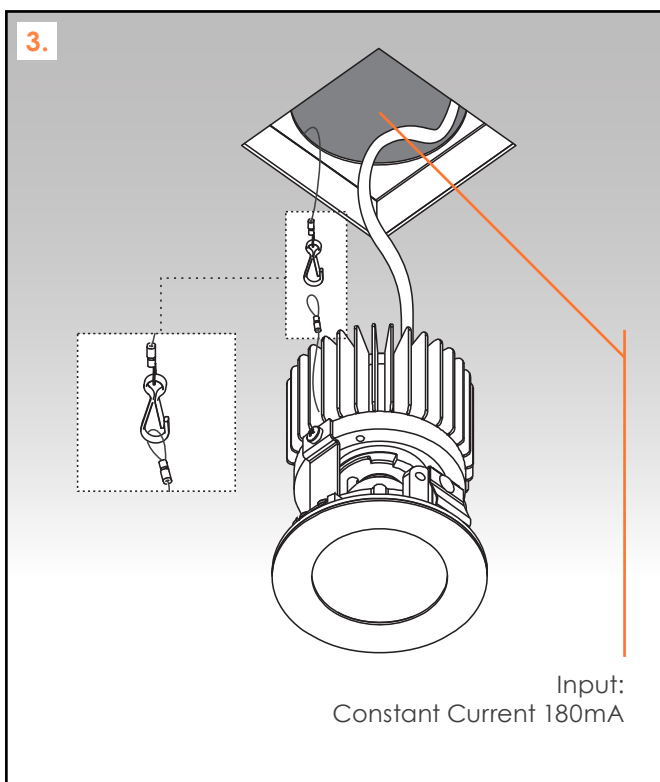
It is recommended that this product is fitted by a qualified electrician.
Ensure that the power supply is turned off. Follow the steps below for installation or lamp replacement.
Once all steps have been completed, check that all screw are tightened before connecting the power supply.



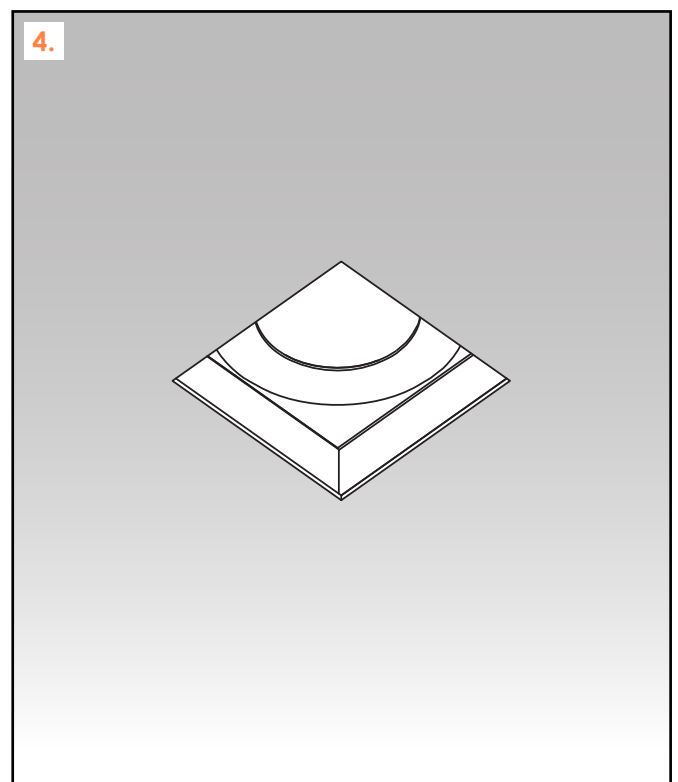
The plaster-in kits have been pre-coated in a rust proof powder coat.



If the powder coat gets damaged during installation the kits must be resealed with a rust proof solution before continuing to skim with plaster.

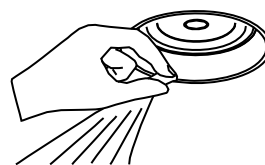
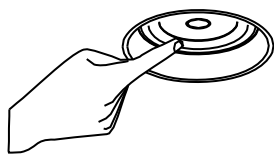
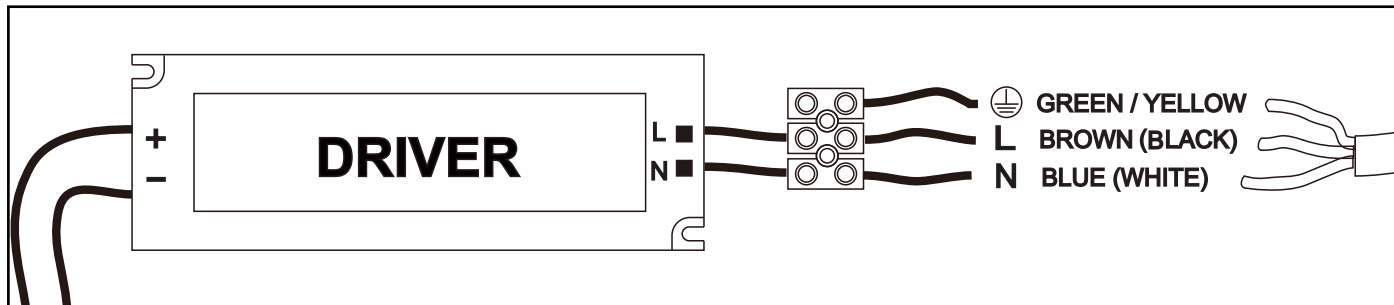


Only remove the protective plastic film from the lens **after** installation.



Avoid contact with the lens if possible post install. If contact with the lens is unavoidable, use cotton gloves.

WIRING DIAGRAM



Do not clean the LED chip and reflector by hand or with a towel!

DISCLAIMER

- Only use power supplies which are certified according to the applicable IEC or 3C standards
- Check that the rating of the power supply matches that of the luminaire
- The maximum current rating must be taken into account
- The indicated typical voltage must not be used to select a constant voltage power supply. It is intended to be used to select a constant current power supply that is able to cover that typical voltage
- Take appropriate ESD measures. Avoid touching bare conductors
- LED luminaires or LED drivers should never be cleaned with chemical substances. LEDs can be damaged by contact with certain chemicals or chemical gasses
- The following substances have been proven to have a negative influence on LED performance, and must not be used in the direct environment of the LED luminaire:
 - Methyl acetate or ethyl acetate (i.e., nail polish remover)
 - Formaldehyde or butadiene (including Ashland PLIOBOND adhesive)
 - Loctite Sumo Glue
 - Gorilla Glue
 - Bleach, Bleach-containing cleaners, sprays
 - Loctite 384 adhesive
 - Loctite 7387 activator
- Remove insulation and/or provide sufficient ventilation so that the indicated maximum temperature is not surpassed
- Only connect the driver with the fitting only after the power is off. LEDs are susceptible to switching transients
- Respect polarity
- Don't test LED luminaires one by one on a power supply that is switched on

 **01189 889414**

 **enquiries@dld-contract.co.uk**

 **dld-contract.co.uk**

DLD Contract Ltd
Unit 9 Brookside Business Centre
Church Road
Swallowfield
Reading
Berkshire
RG7 1TH