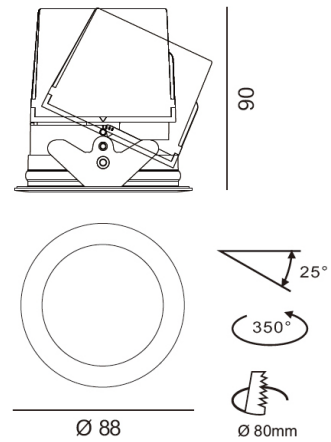


## SILO LED

RECESSED ADJUSTABLE DOWNLIGHT  
DLD/8062018FI

# DLD CONTRACT



### Dimensions

Ø88mm, H.90mm

### Cutout

Ø80mm



- IP20
- 220V
- Beam angle of 14°, 24° & 35°
- Ø80mm round cutout
- 25° adjustable tilt, 350° rotation
- 27° glare cut
- 0.43kg weight
- Driver included

## SILO LED

RECESSED ADJUSTABLE DOWNLIGHT  
DLD/8062018FI



### OVERVIEW

| Power | Beam | Flux  | CCT   | Non-DIM | 1-10V DIM | Triac DIM |
|-------|------|-------|-------|---------|-----------|-----------|
| 13W   | 14°  | 757lm | 2700K | Y       | Y         | Y         |
| 13W   | 14°  | 770lm | 3000K | Y       | Y         | Y         |
| 13W   | 14°  | 813lm | 4000K | Y       | Y         | Y         |
| 13W   | 24°  | 704lm | 2700K | Y       | Y         | Y         |
| 13W   | 24°  | 709lm | 3000K | Y       | Y         | Y         |
| 13W   | 24°  | 778lm | 4000K | Y       | Y         | Y         |
| 13W   | 35°  | 609lm | 2700K | Y       | Y         | Y         |
| 13W   | 35°  | 649lm | 3000K | Y       | Y         | Y         |
| 13W   | 35°  | 678lm | 4000K | Y       | Y         | Y         |

# SILO LED

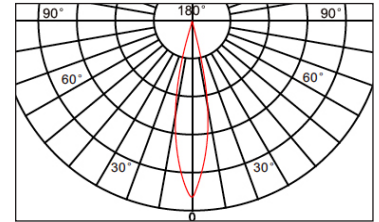
RECESSED ADJUSTABLE DOWNLIGHT  
DLD/8062018FI



## LIGHTING DATA - 13W

### LED COB 14°

|          |        |        |        |
|----------|--------|--------|--------|
| Power    | 13W    | 13W    | 13W    |
| CCT      | 2700K  | 3000K  | 4000K  |
| CRI      | >80    | >80    | >80    |
| Output V | 32V DC | 32V DC | 32V DC |
| Output I | 350mA  | 350mA  | 350mA  |
| Efficacy | 60lm/W | 60lm/W | 64lm/W |



#### 13W 2700K - Flux 757lm

| Lux | h(m) | d(cm) | Em   | E <sub>max</sub> |
|-----|------|-------|------|------------------|
|     | 1    | 24    | 4702 | 7510             |
|     | 2    | 49    | 1175 | 1820             |
|     | 3    | 73    | 522  | 834              |

#### 13W 3000K - Flux 770lm

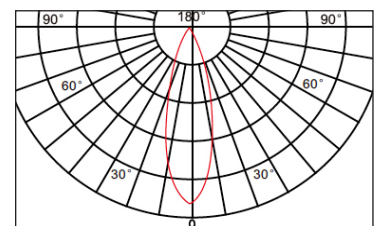
| Lux | h(m) | d(cm) | Em   | E <sub>max</sub> |
|-----|------|-------|------|------------------|
|     | 1    | 23    | 4949 | 7750             |
|     | 2    | 46    | 1237 | 2020             |
|     | 3    | 69    | 549  | 861              |

#### 13W 4000K - Flux 813lm

| Lux | h(m) | d(cm) | Em   | E <sub>max</sub> |
|-----|------|-------|------|------------------|
|     | 1    | 23    | 5100 | 8950             |
|     | 2    | 47    | 1275 | 2240             |
|     | 3    | 71    | 566  | 994              |

### LED COB 24°

|          |        |        |        |
|----------|--------|--------|--------|
| Power    | 13W    | 13W    | 13W    |
| CCT      | 2700K  | 3000K  | 4000K  |
| CRI      | >80    | >80    | >80    |
| Output V | 32V DC | 32V DC | 32V DC |
| Output I | 350mA  | 350mA  | 350mA  |
| Efficacy | 55lm/W | 55lm/W | 60lm/W |



#### 13W 2700K - Flux 704lm

| Lux | h(m) | d(cm) | Em   | E <sub>max</sub> |
|-----|------|-------|------|------------------|
|     | 1    | 42    | 1776 | 2550             |
|     | 2    | 85    | 444  | 671              |
|     | 3    | 128   | 197  | 283              |

#### 13W 3000K - Flux 709lm

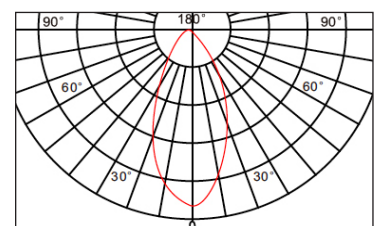
| Lux | h(m) | d(cm) | Em   | E <sub>max</sub> |
|-----|------|-------|------|------------------|
|     | 1    | 42    | 1826 | 2740             |
|     | 2    | 84    | 456  | 744              |
|     | 3    | 126   | 202  | 304              |

#### 13W 4000K - Flux 778lm

| Lux | h(m) | d(cm) | Em   | E <sub>max</sub> |
|-----|------|-------|------|------------------|
|     | 1    | 41    | 2017 | 3180             |
|     | 2    | 82    | 504  | 820              |
|     | 3    | 124   | 224  | 353              |

### LED COB 35°

|          |        |        |        |
|----------|--------|--------|--------|
| Power    | 13W    | 13W    | 13W    |
| CCT      | 2700K  | 3000K  | 4000K  |
| CRI      | >80    | >80    | >80    |
| Output V | 32V DC | 32V DC | 32V DC |
| Output I | 350mA  | 350mA  | 350mA  |
| Efficacy | 47lm/W | 50lm/W | 52lm/W |



#### 13W 2700K - Flux 609lm

| Lux | h(m) | d(cm) | Em  | E <sub>max</sub> |
|-----|------|-------|-----|------------------|
|     | 1    | 64    | 839 | 1310             |
|     | 2    | 128   | 209 | 345              |
|     | 3    | 192   | 93  | 145              |

#### 13W 3000K - Flux 649lm

| Lux | h(m) | d(cm) | Em  | E <sub>max</sub> |
|-----|------|-------|-----|------------------|
|     | 1    | 64    | 902 | 1430             |
|     | 2    | 128   | 225 | 377              |
|     | 3    | 192   | 100 | 158              |

#### 13W 4000K - Flux 678lm

| Lux | h(m) | d(cm) | Em  | E <sub>max</sub> |
|-----|------|-------|-----|------------------|
|     | 1    | 64    | 944 | 1630             |
|     | 2    | 128   | 236 | 436              |
|     | 3    | 192   | 104 | 181              |

**SILO LED**  
RECESSED ADJUSTABLE DOWNLIGHT  
DLD/8062018FI

**DLD**  
**CONTRACT**

**BAFFLE FINISH**



Black



Champagne gold



White



Mirror aluminium

## SILO LED

RECESSED ADJUSTABLE DOWNLIGHT  
DLD/8062018FI

**DLD**  
**CONTRACT**

### PRODUCT CODE CONSTRUCTION

SILO LED RECESSED ADJUSTABLE DOWNLIGHT

DLD/8062018FI / [X] / [X] / [X] / [X] / [X] / [X]

CONTROL:

[NON]

[1/10V]

[TRI]

NON-DIMMABLE 1-10V DIMMABLE TRIAC DIMMABLE

LIGHT COLOUR TEMPERATURE (CCT):

[27K]

[30K]

[40K]

2700°K

3000°K

4000°K

BEAM ANGLE:

[14D]

[24D]

[35D]

14°

24°

35°

WATTAGE:

[13W]

13W

BAFFLE FINISH:

[WH]

[BK]

[MI]

[CG]

White

Black

Mirror aluminium

Champagne gold

BEZEL FINISH:

[WH]

White



01189 889414



enquiries@dld-contract.co.uk



dld-contract.co.uk

DLD Contract Ltd  
Unit 9 Brookside Nurseries  
Church Road  
Swallowfield  
Reading  
Berkshire  
RG7 1TH