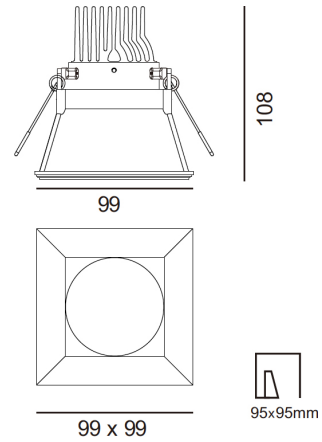


HONOS LED SQUARE
RECESSED DOWNLIGHT
DLD/7064318IH

DLD
CONTRACT



Dimensions
99 x 99mm, H.108mm

Cutout
95 x 95mm



- IP20
- 220V
- Beam angle of 14°, 25°, 36° & 52°
- 95 x 95mm cutout

- Fitting with minimal trim
- 35° glare cut
- 0.43kg weight
- Driver included

HONOS LED SQUARE
RECESSED DOWNLIGHT
DLD/7064318IH



OVERVIEW

Power	Beam	Flux	CCT	Non-DIM	1-10V DIM	Triac DIM
11W	14°	785lm	2700K	Y	Y	Y
11W	14°	803lm	3000K	Y	Y	Y
11W	14°	821lm	4000K	Y	Y	Y
11W	25°	1051lm	2700K	Y	Y	Y
11W	25°	1097lm	3000K	Y	Y	Y
11W	25°	1151lm	4000K	Y	Y	Y
11W	36°	1041lm	2700K	Y	Y	Y
11W	36°	1064lm	3000K	Y	Y	Y
11W	36°	1121lm	4000K	Y	Y	Y
11W	52°	935lm	2700K	Y	Y	Y
11W	52°	959lm	3000K	Y	Y	Y
11W	52°	986lm	4000K	Y	Y	Y

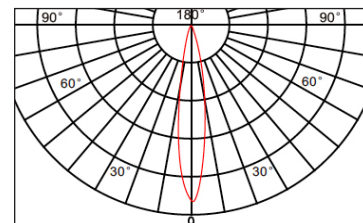
HONOS LED SQUARE
 RECESSED DOWNLIGHT
 DLD/7064318IH



LIGHTING DATA - 11W

LED COB 14°

Power	11W	11W	11W
CCT	2700K	3000K	4000K
CRI	>80	>80	>80
Output V	32V DC	32V DC	32V DC
Output I	280mA	280mA	280mA
Efficacy	76lm/W	78lm/W	80lm/W



11W 2700K - Flux 785lm

Lux	h(m)	d(cm)	Em	Emax
	1	24	4311	6600
	2	48	1077	1760
	3	73	480	735

11W 3000K - Flux 803lm

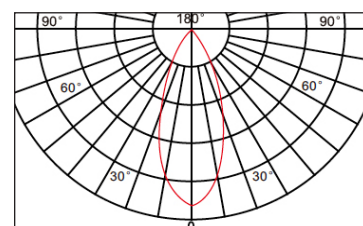
Lux	h(m)	d(cm)	Em	Emax
	1	24	4791	7340
	2	48	1197	1950
	3	72	532	815

11W 4000K - Flux 821lm

Lux	h(m)	d(cm)	Em	Emax
	1	24	5270	8070
	2	49	1315	2100
	3	71	583	896

LED COB 25°

Power	11W	11W	11W
CCT	2700K	3000K	4000K
CRI	>80	>80	>80
Output V	35V DC	35V DC	35V DC
Output I	280mA	280mA	280mA
Efficacy	97lm/W	98lm/W	100lm/W



11W 2700K - Flux 1051lm

Lux	h(m)	d(cm)	Em	Emax
	1	45	2271	2720
	2	89	569	720
	3	135	251	302

11W 3000K - Flux 1097lm

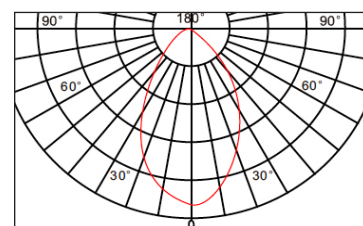
Lux	h(m)	d(cm)	Em	Emax
	1	44	2527	3030
	2	88	631	800
	3	132	280	336

11W 4000K - Flux 1151lm

Lux	h(m)	d(cm)	Em	Emax
	1	45	2779	3310
	2	90	694	880
	3	135	309	370

LED COB 38°

Power	11W	11W	11W
CCT	2700K	3000K	4000K
CRI	>80	>80	>80
Output V	35V DC	35V DC	35V DC
Output I	280mA	280mA	280mA
Efficacy	93lm/W	95lm/W	98lm/W



11W 2700K - Flux 1041lm

Lux	h(m)	d(cm)	Em	Emax
	1	63	1321	2050
	2	123	332	517
	3	185	146	228

11W 3000K - Flux 1064lm

Lux	h(m)	d(cm)	Em	Emax
	1	62	1467	2280
	2	124	366	575
	3	187	163	253

11W 4000K - Flux 1121lm

Lux	h(m)	d(cm)	Em	Emax
	1	63	1611	2500
	2	125	404	635
	3	190	179	277

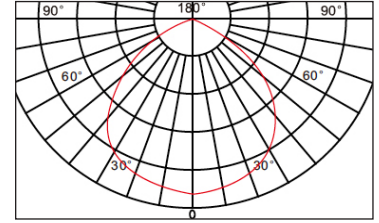
HONOS LED SQUARE
 RECESSED DOWNLIGHT
 DLD/7064318IH



LIGHTING DATA - 11W

LED COB 60°

Power	11W	11W	11W
CCT	2700K	3000K	4000K
CRI	>80	>80	>80
Output V	35V DC	35V DC	35V DC
Output I	280mA	280mA	280mA
Efficacy	85lm/W	85lm/W	88lm/W



11W 2700K - Flux 935lm

Lux			
h(m)	d(cm)	Em	Emax
1	93	667	1140
2	189	165	292
3	289	75	126

11W 3000K - Flux 959lm

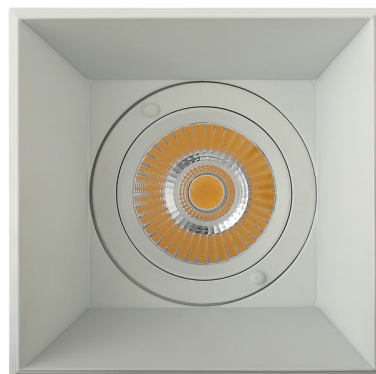
Lux			
h(m)	d(cm)	Em	Emax
1	95	742	1260
2	191	185	325
3	287	82	140

11W 4000K - Flux 986lm

Lux			
h(m)	d(cm)	Em	Emax
1	96	816	1380
2	192	201	359
3	289	90	155

HONOS LED SQUARE
RECESSED DOWNLIGHT
DLD/7064318IH

DLD
CONTRACT



PRODUCT CODE CONSTRUCTION

HONOS LED SQUARE RECESSED DOWNLIGHT

DLD/7064318IH / [X] / [X] / [X] / [X] / [X]

CONTROL:

[NON]

[1/10V]

[TRI]

NON-DIMMABLE 1-10V DIMMABLE TRIAC DIMMABLE

LIGHT COLOUR TEMPERATURE (CCT):

[27K]

[30K]

[40K]

2700°K

3000°K

4000°K

BEAM ANGLE:

[14D]

[25D]

[36D]

[52D]

14°

25°

36°

52°

WATTAGE:

[11W]

11W

FINISH:

[WH]

White



01189 889414



enquiries@dld-contract.co.uk



dld-contract.co.uk

DLD Contract Ltd
Unit 9 Brookside Nurseries
Church Road
Swallowfield
Reading
Berkshire
RG7 1TH