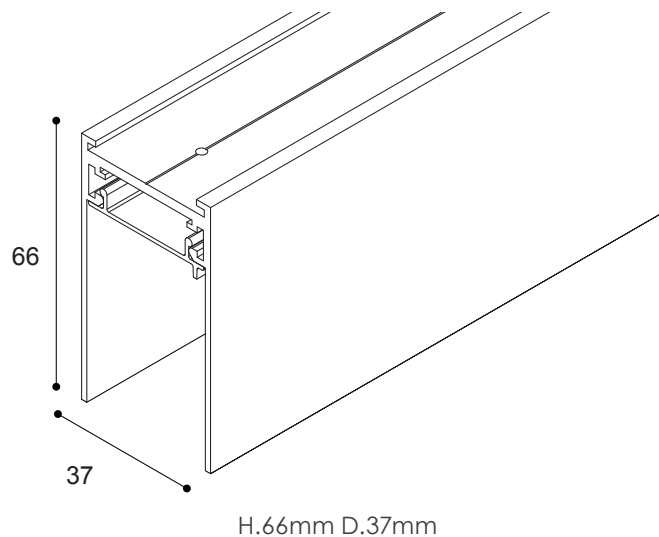
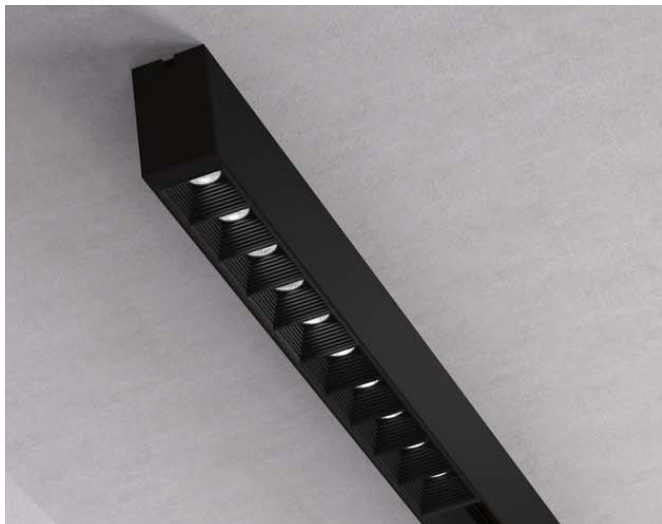


SHADOWLINE
LED LINEAR TRACK SYSTEM

DLD
CONTRACT



SURFACE MOUNTED TRACK



- Aluminium extrusion
- Supplied with black PC extrusion cover & end caps
- In 3 sizes - use hanging kit to suspend from ceiling
- Cut-to-length

Product code

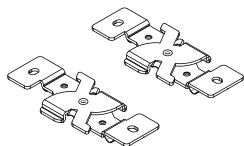
Length

10-TDS
20-TDS
30-TDS

1500mm
2000mm
2500mm

ACCESSORIES - SURFACE MOUNTED TRACK

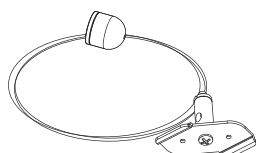
30-IDS
2 x Steel surface mounted clips



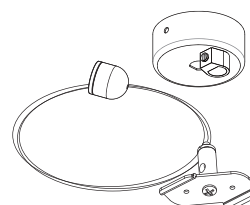
ACCESSORIES - SUSPENSION TRACK

Surface mounted track can be hung from the ceiling using the accessories below:

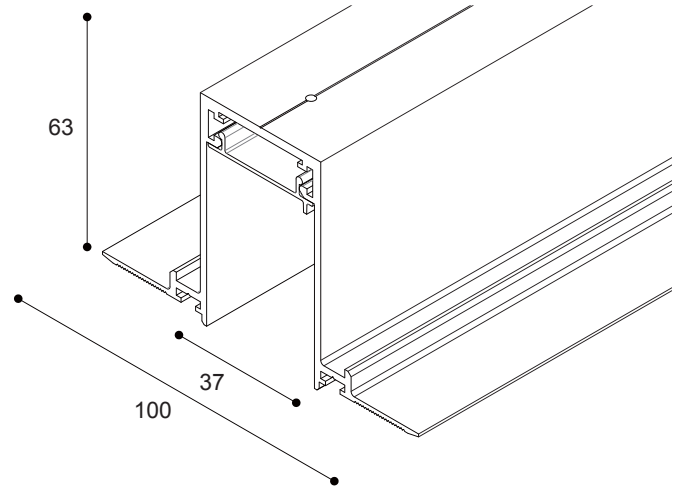
40-IDS
2 x 1500mm stainless steel hanging kit



50-IDS
2 x 1500mm stainless steel hanging kit,
1 x with power cable



RECESSED TRACK



- Aluminium extrusion
- Supplied with black PC extrusion cover & end caps
- In 3 sizes
- Cut-to-length

Product code

Length

10-RDS
20-RDS
30-RDS

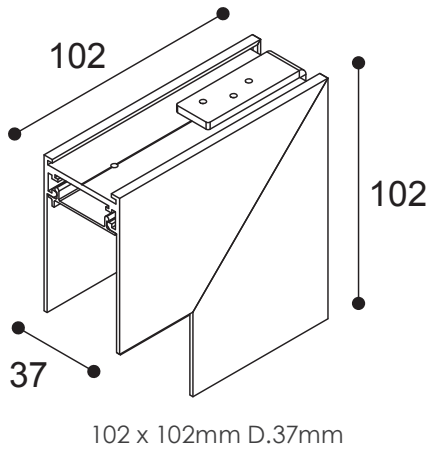
1500mm
2000mm
2500mm

ACCESSORIES

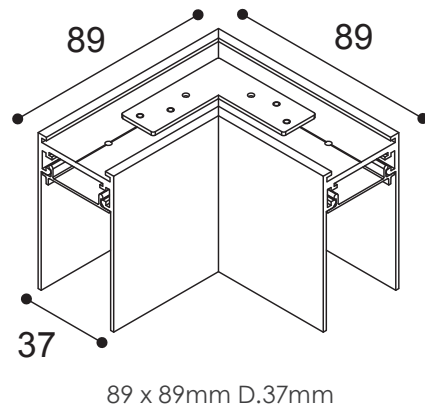
- Connecting corners for surface mounted, suspension and recessed tracks
- Aluminium extrusion

Corners for Surface Mounted / Suspension Track

Surface mounted | Suspension | Vertical corner
40-TDS

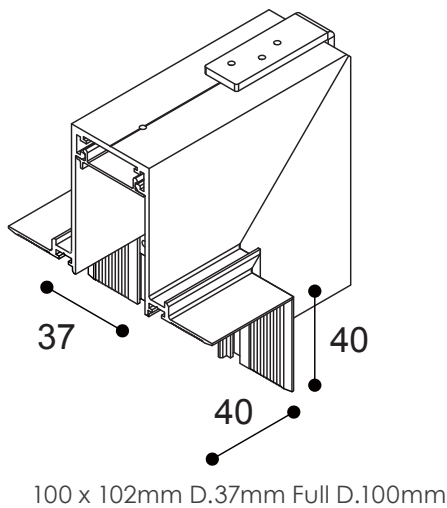


Surface mounted | Suspension | Horizontal corner
50-TDS

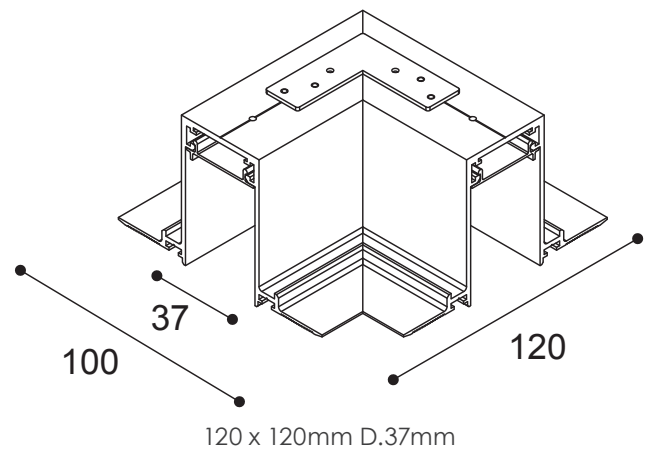


Corners for Recessed Track

Recessed | Vertical corner
40-RDS



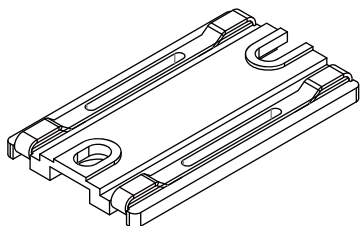
Recessed | Horizontal corner
50-RDS



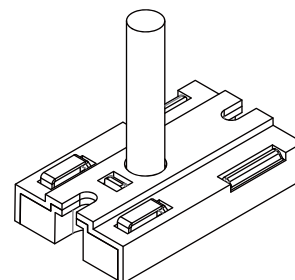
ACCESSORIES

Connectors for Surface Mounted Track

Surface mounted | Straight circuit joint
10-CDS

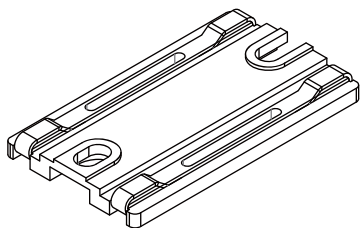


Surface mounted | Straight circuit joint 2m power cable
20-CDS

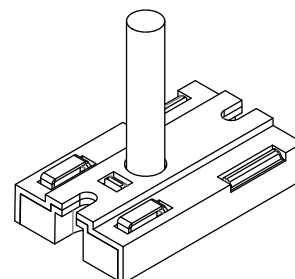


Connectors for Recessed Track

Recessed | Straight circuit joint
A10-CDS

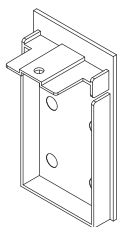


Recessed | Straight circuit joint 2m power cable
A20-CDS

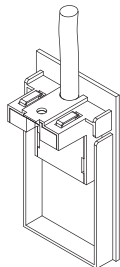


UNIVERSAL ACCESSORIES

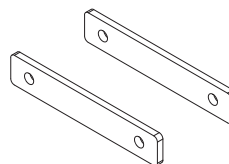
End cap
40-CDS



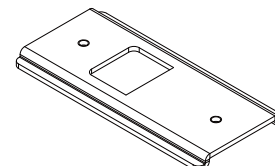
End cap 2m power cable
30-CDS



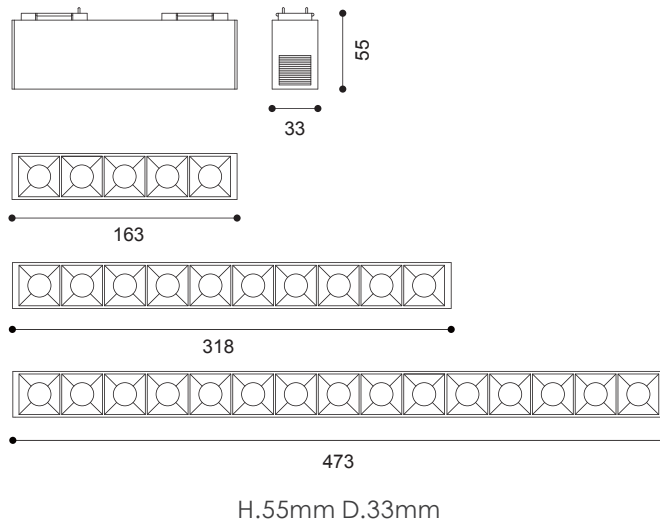
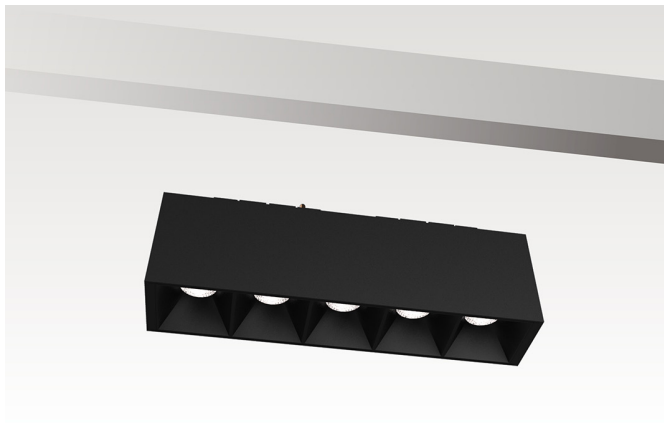
2 x Reinforced joint
50-CDS



Surface mounted
reinforced plate
60-CDS



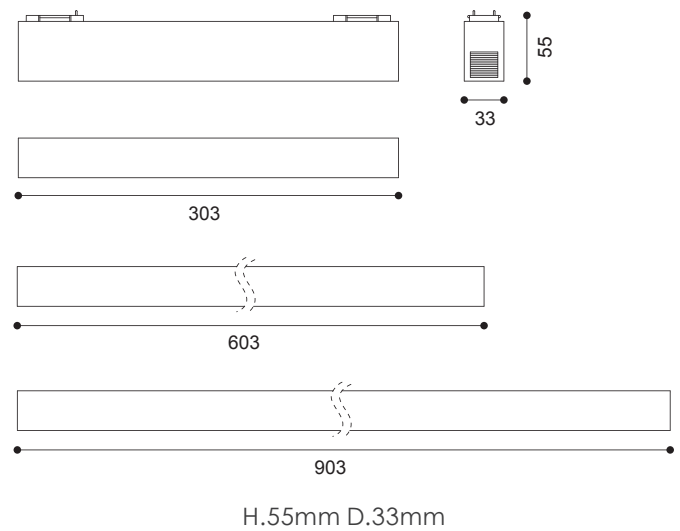
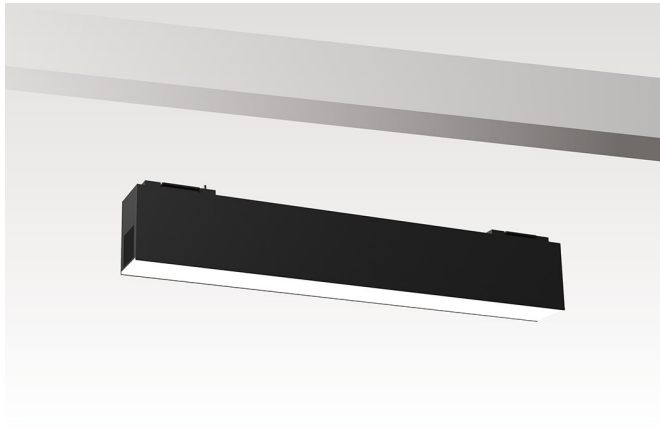
LED DOWNLIGHT MODULE FOR TRACK



- Aluminium extrusion body
- ABS plastic baffle
- In 3 sizes - 5 LED, 10 LED or 15 LED version
- Driver required

Product code	Length	LED Consumption	Voltage	Lumen	Beam angle	Light temp.	CRI
A5047161	163mm	11W	48V DC	200 lm x 5	10° / 15° / 30°	3000°K	90+
B5047161	318mm	22W	48V DC	200 lm x 10	10° / 15° / 30°	3000°K	90+
C5047161	473mm	33W	48V DC	200 lm x 15	10° / 15° / 30°	3000°K	90+

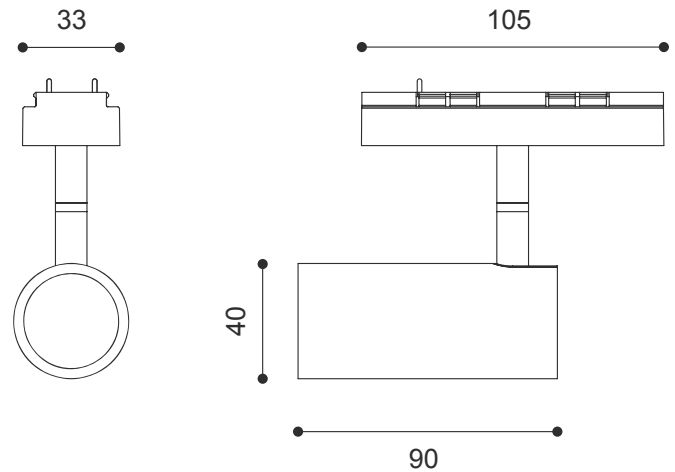
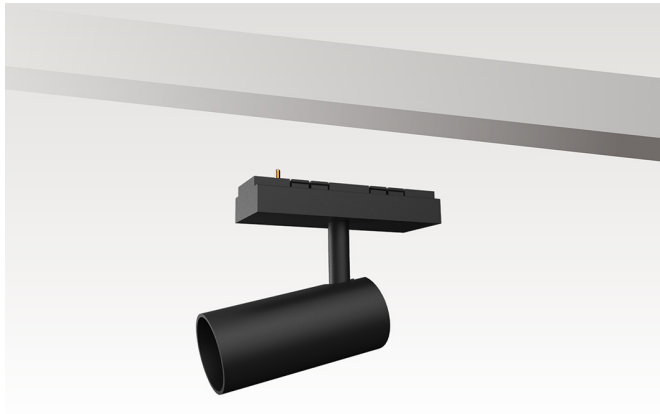
LINEAR LED MODULE FOR TRACK



- Aluminium extrusion body
- ABS plastic cover
- In 3 sizes
- Driver required

Product code	Length	LED Consumption	Voltage	Lumen	Beam angle	Light temp.	CRI
A6047161	303mm	9.2W	48V DC	469 lm	110°	3000°K	80+
B6047161	603mm	18.4W	48V DC	938 lm	110°	3000°K	80+
C6047161	903mm	27.5W	48V DC	1407 lm	110°	3000°K	80+

LED SPOT LIGHT MODULE FOR TRACK

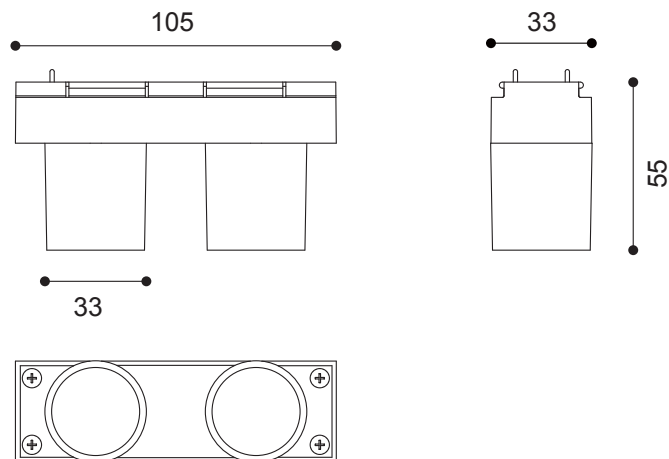


Ø40mm D.33mm L.90mm

- Aluminium extrusion body
- PC plastic cover and lens
- Steel gear box
- Driver required

Product code	Length	LED Consumption	Voltage	Lumen	Beam angle	Light temp.	CRI
7047161	-	6.2W	48V DC	626 lm	10° / 20°	3000°K	90+

LED TWIN HEAD DOWNLIGHT MODULE FOR TRACK



Ø33mm D.33mm L.105mm H.55mm

- Aluminium die-cast body
- ABS plastic baffle
- Diffuser version with 110° beam angle
- Lens version with 10° / 15° / 30° beam angle
- Driver required

Product code	Version	LED Consumption	Voltage	Lumen	Beam angle	Light temp.	CRI
9047161	Diffuser	5.3W	48V DC	124 lm x 2	110°	3000°K	80+
A9047161	Lens	4.4W	48V DC	200 lm x 2	10° / 15° / 30°	3000°K	90+

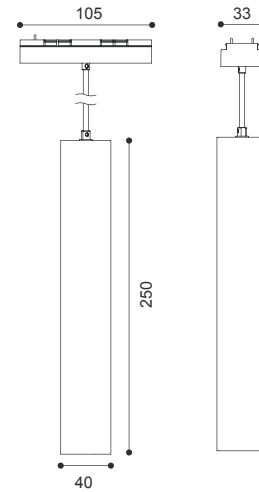


Diffuser
9047161



Lens
A9047161

LED PENDANT MODULE FOR TRACK

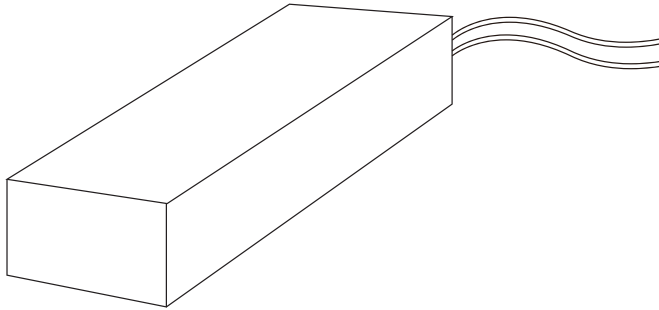


Ø40mm H.250mm

- Aluminium extrusion body
- ABS plastic baffle and lens
- Steel gear box
- Driver required

Product code	Length	LED Consumption	Voltage	Lumen	Beam angle	Light temp.	CRI
0147161	-	6.2W	48V DC	626 lm	10° / 20°	3000°K	90+

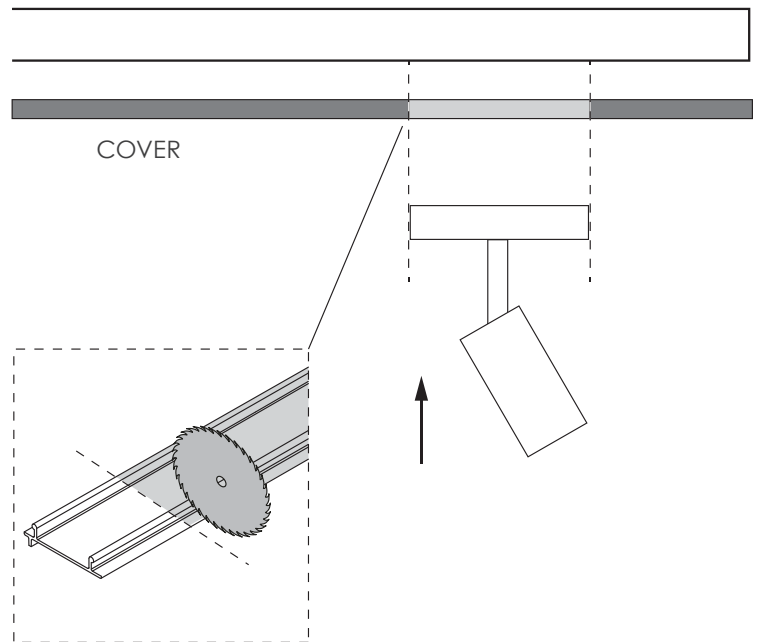
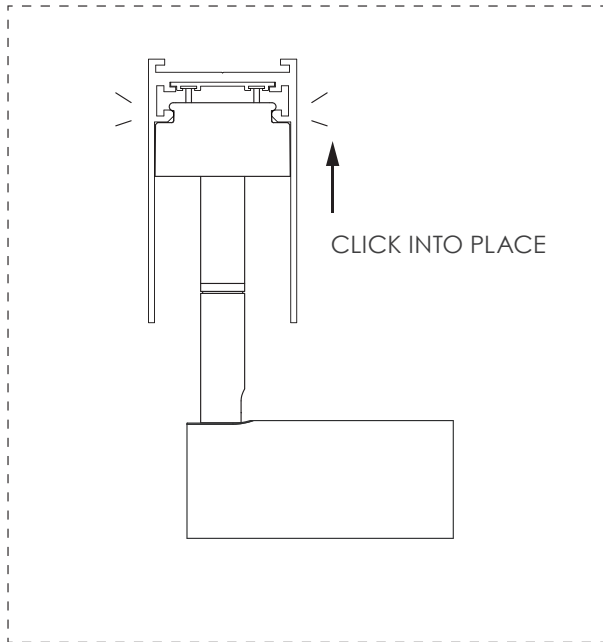
DRIVERS



- When using 24VDC driver, maximum length and maximum wattage connection will be 50% of 48DVC version

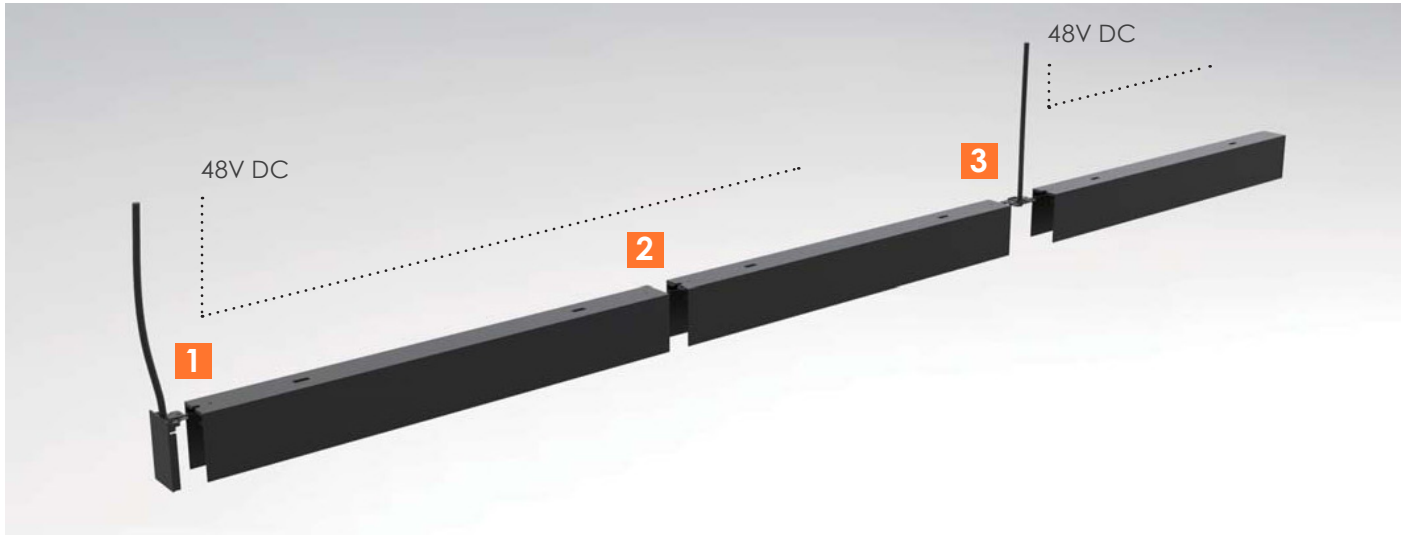
Product code	Manufacturer	Description	Power	Voltage
10-PDS	Meanwell	HRP-100-48 constant voltage	100W	48V DC
20-PDS	Meanwell	HRP-200-48 constant voltage	200W	48V DC
30-PDS	Meanwell	HRP-300-48 constant voltage	300W	48V DC

EASY INSTALLATION

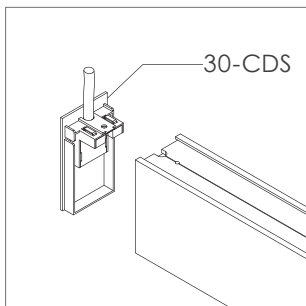


-
- Simple plug and play LED installation
 - Track cover can be trimmed or moved to fit the LED module, creating a seamless appearance
-

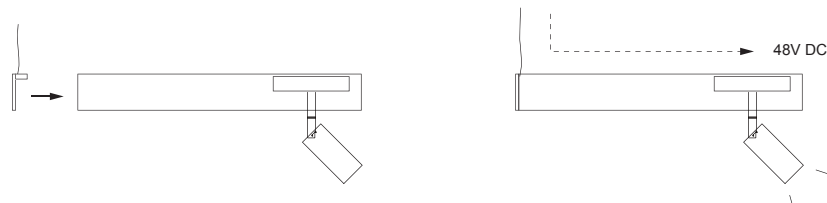
CONNECTION OPTIONS



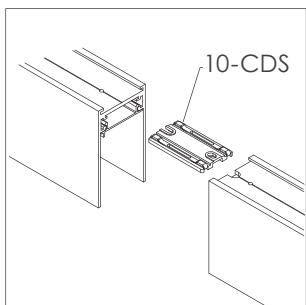
- Various connection options
- Compatible with 48V DC and 24V DC driver



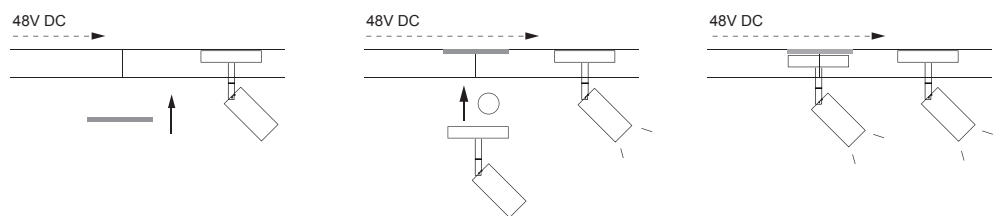
1 Single power, single track



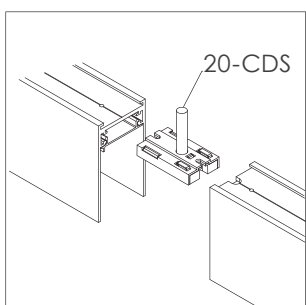
Use power end cap 30-CDS as power feed



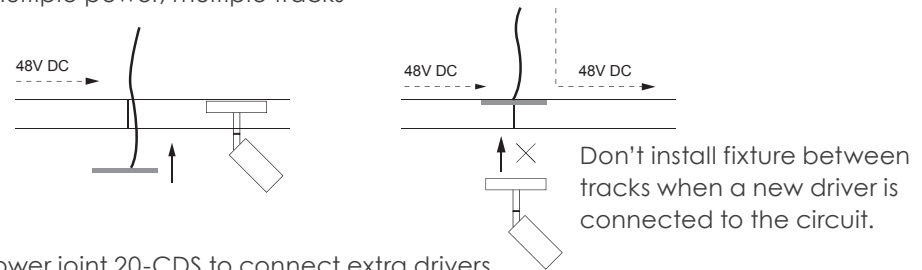
2 Single power, multiple tracks



Use the joint 10-CDS to connect the tracks

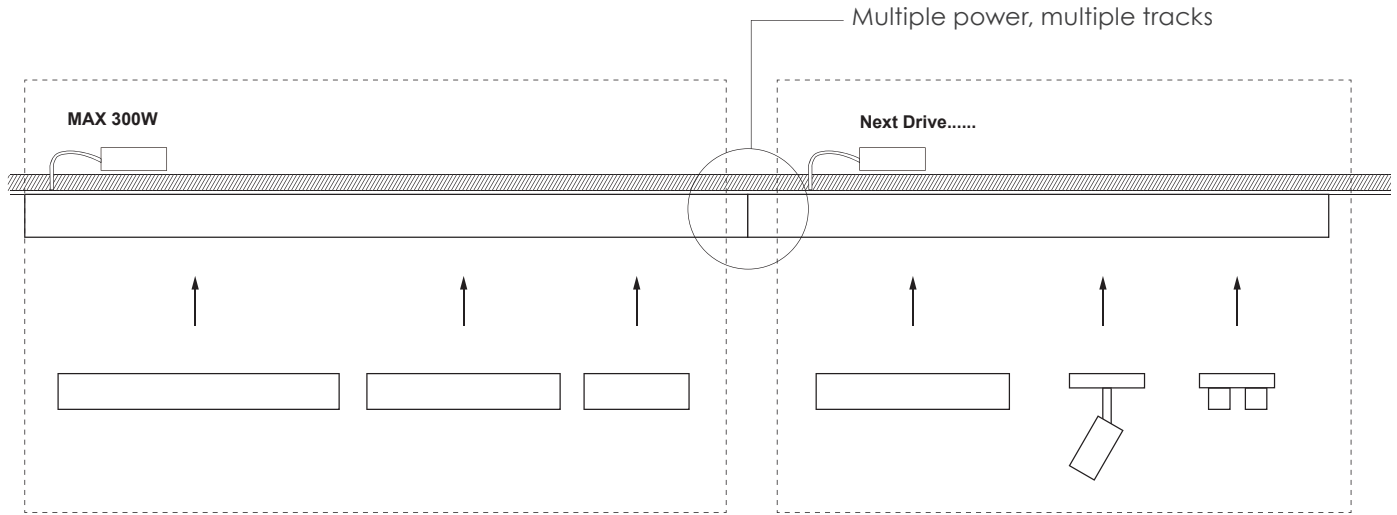


3 Multiple power, multiple tracks



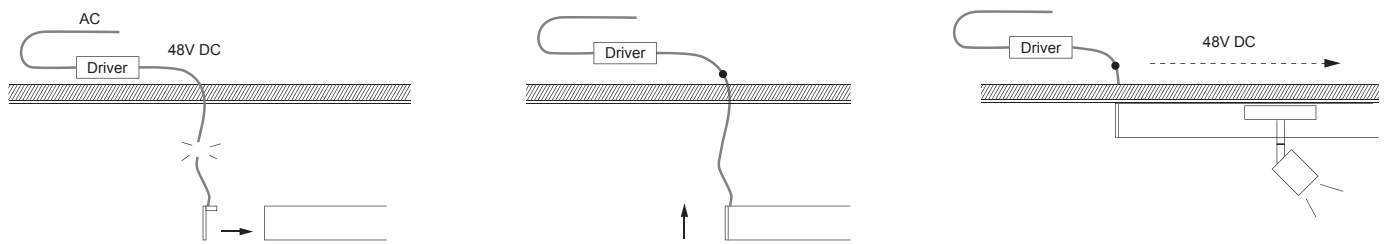
Use power joint 20-CDS to connect extra drivers

INSTALLATION



- Continuous lengths of track can be joined, making it a truly flexible solution
- By segregating with multiple drivers separate lighting sections can be created, giving control over lighting different areas.

DRIVER INSTALLATION



 **01189 889414**

 **enquiries@dld-contract.co.uk**

 **dld-contract.co.uk**

DLD Contract Ltd
Unit 9 Brookside Business Centre
Church Road
Swallowfield
Reading
Berkshire
RG7 1TH