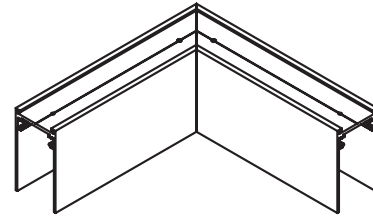
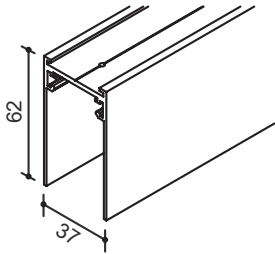


SHADOWLINE

LED LINEAR SUSPENSION TRACK SYSTEM
INSTALLATION INSTRUCTIONS

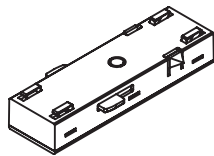


SUSPENSION MOUNTED TRACK - COMPONENTS

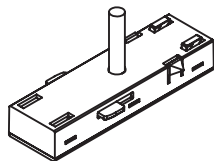


Product code	Length
10-TDS	1500mm
20-TDS	2000mm
30-TDS	2500mm

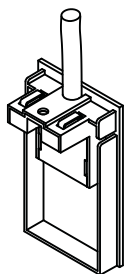
Product code	Length
50-TDS	Surface mounted Horizontal corner 89 x 89mm D.37mm



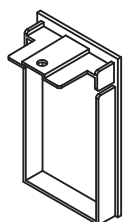
10-CDS
Straight circuit joint



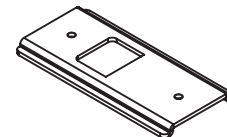
20-CDS
Straight circuit joint 2m power cable



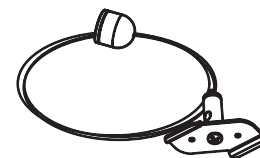
30-CDS
End cap 2m power cable



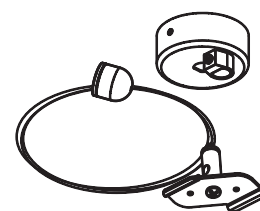
40-CDS
End cap



60-CDS
Surface mounted reinforced plate



40-IDS
2 x 1500mm stainless steel hanging kit



50-IDS
2 x 1500mm stainless steel hanging kit, 1 x power cable

SUSPENSION MOUNTED TRACK - INSTALL INSTRUCTIONS

1

Product code	A	B
10-TDS	1500mm	110mm
20-TDS	2000mm	110mm
30-TDS	2500mm	110mm

2

30-CDS End cap 2m power cable

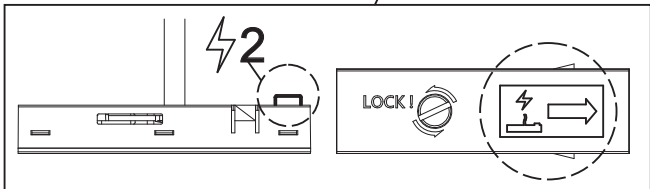
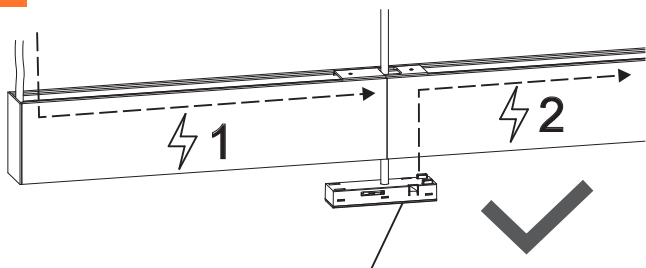
3

20-CDS
Recessed straight
circuit joint
2m power cable

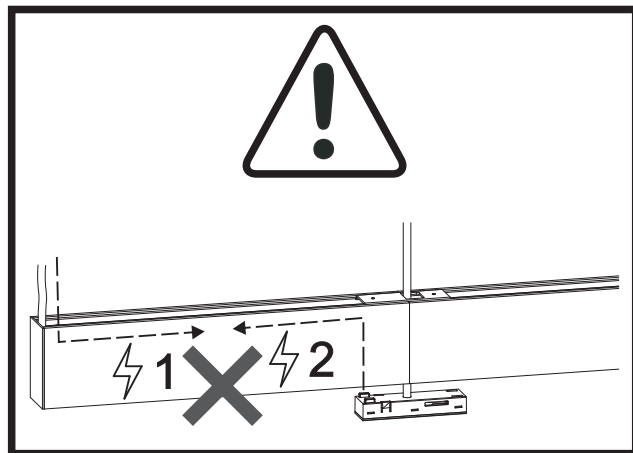
60-CDS
Surface mounted
reinforced plate

SUSPENSION MOUNTED TRACK - INSTALL INSTRUCTIONS

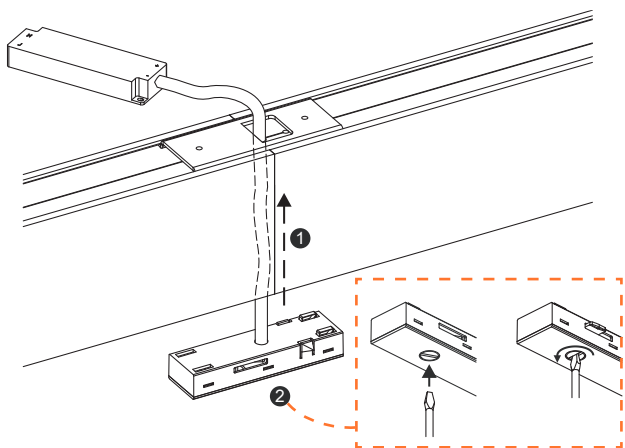
4



20-CDS Recessed straight circuit joint 2m power cable

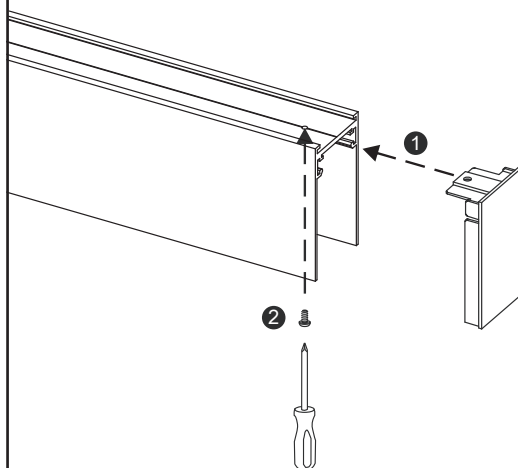


5



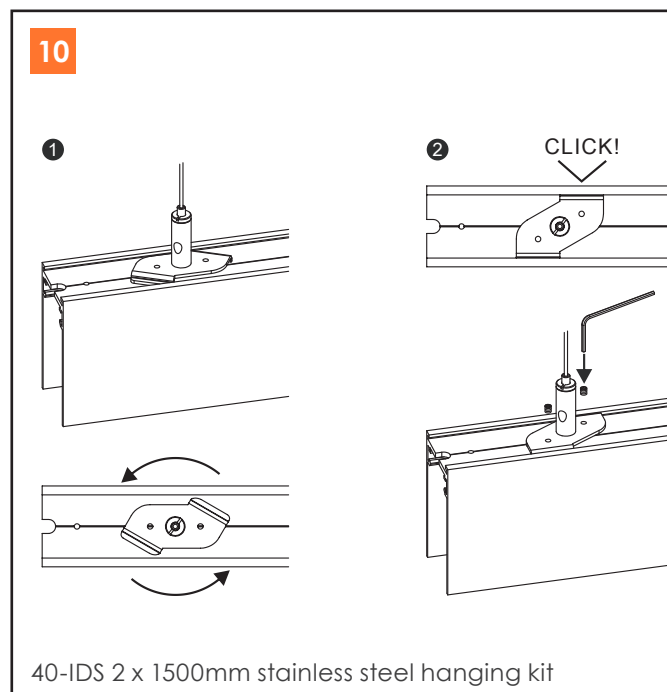
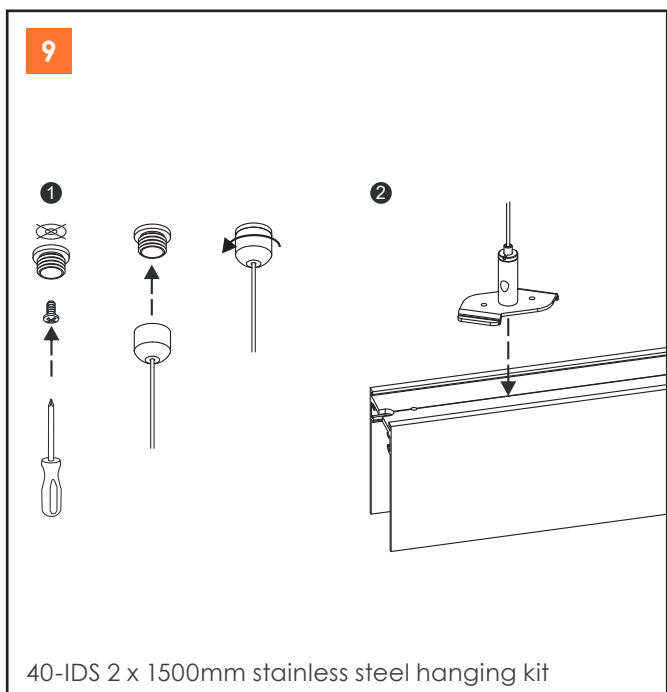
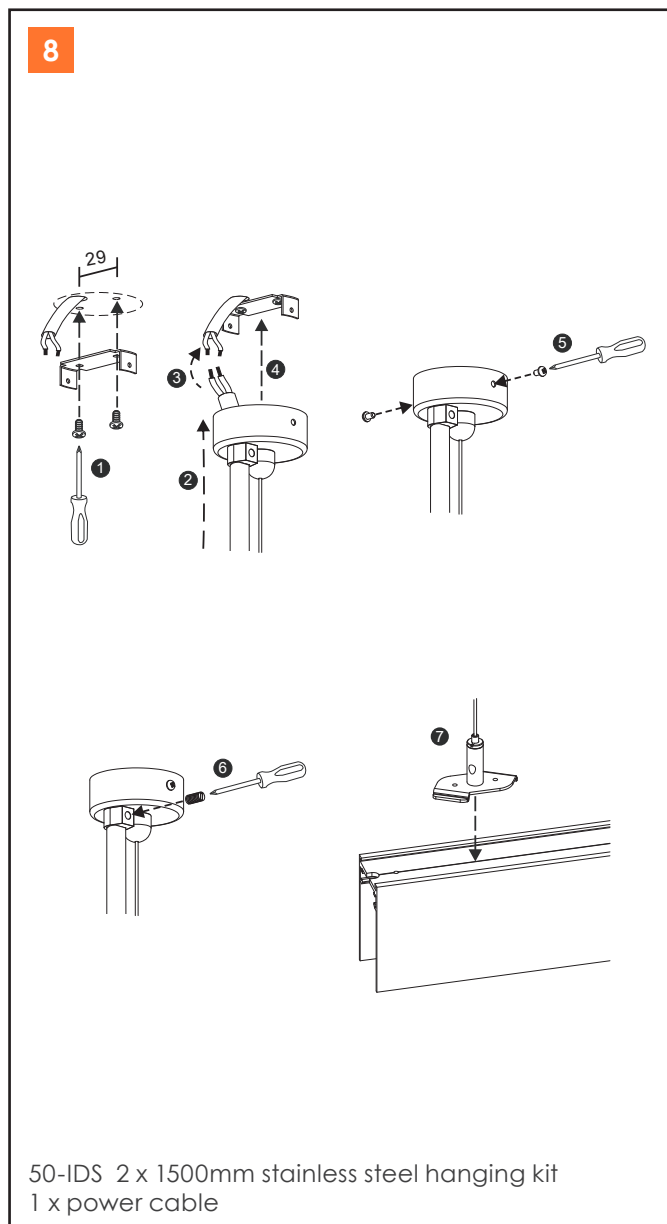
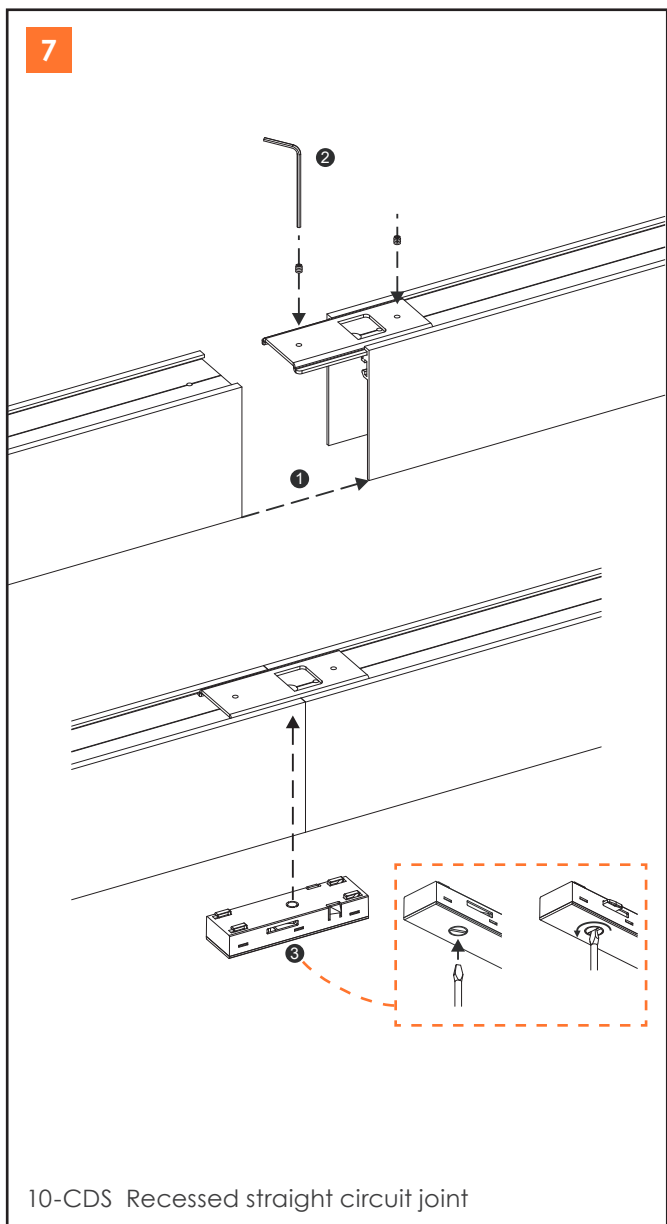
20-CDS Recessed straight circuit joint 2m power cable

6

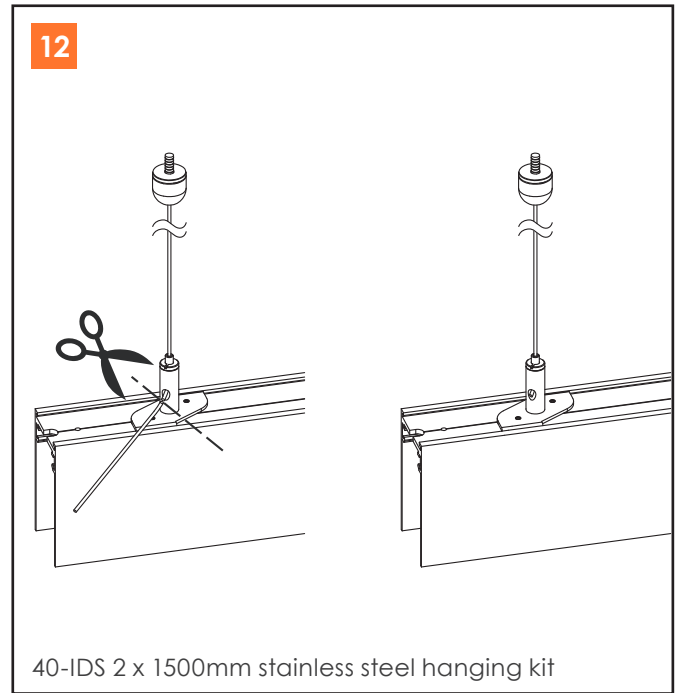
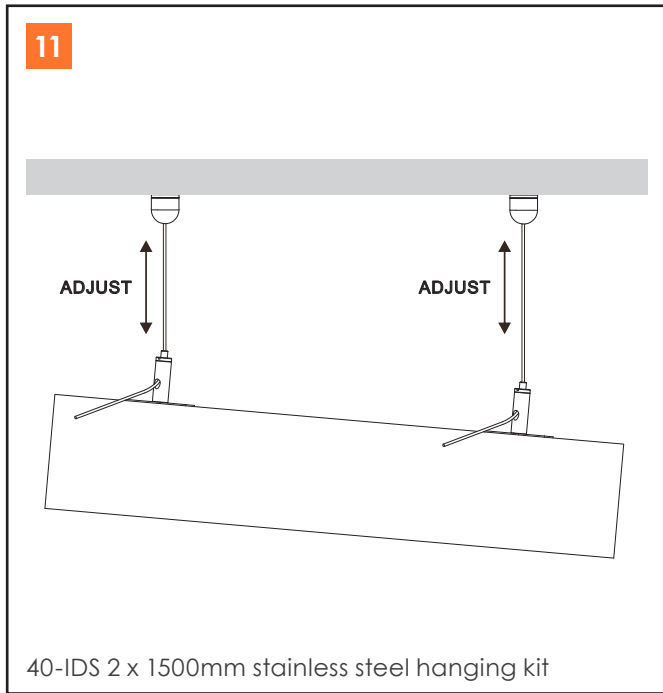


40-CDS End cap

SUSPENSION MOUNTED TRACK - INSTALL INSTRUCTIONS



SUSPENSION MOUNTED TRACK - INSTALL INSTRUCTIONS



 01189 889414

 enquiries@dld-contract.co.uk

 dld-contract.co.uk

DLD Contract Ltd
Unit 9 Brookside Business Centre
Church Road
Swallowfield
Reading
Berkshire
RG7 1TH