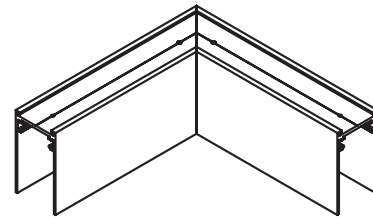
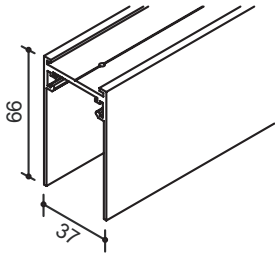


# SHADOWLINE

LED LINEAR SURFACE MOUNTED TRACK SYSTEM  
INSTALLATION INSTRUCTIONS

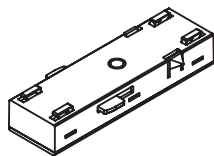


## SURFACE MOUNTED TRACK - COMPONENTS

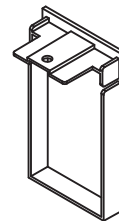


| Product code | Length |
|--------------|--------|
| 10-TDS       | 1500mm |
| 20-TDS       | 2000mm |
| 30-TDS       | 2500mm |

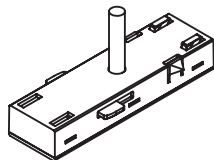
| Product code | Length   |
|--------------|--|
| 50-TDS       | Surface mounted<br>Horizontal corner<br>89 x 89mm D.37mm |



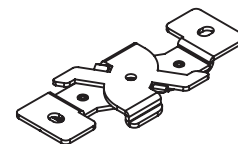
10-CDS  
Recessed Straight circuit joint



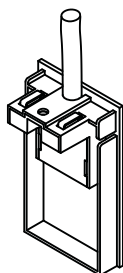
40-CDS  
End cap



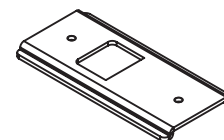
20-CDS  
Recessed straight circuit joint 2m power cable



30-IDS  
2 x Steel surface mounted clips



30-CDS  
End cap 2m power cable



60-CDS  
Surface mounted reinforced plate

## SURFACE MOUNTED TRACK - INSTALL INSTRUCTIONS

**1**

| Product code | A      | B      | C    |
|--------------|--------|--------|------|
| 10-TDS       | 1500mm | B>80mm | 70mm |
| 20-TDS       | 2000mm | B>80mm | 70mm |
| 30-TDS       | 2500mm | B>80mm | 70mm |

**2**

30-CDS End cap 2m power cable

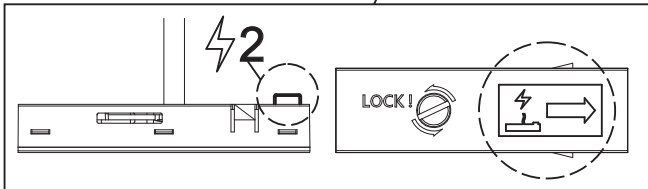
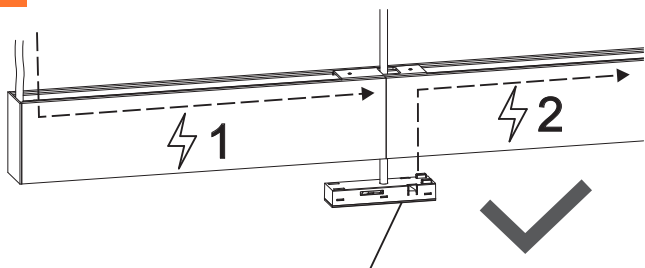
**3**

20-CDS  
Recessed straight  
circuit joint  
2m power cable

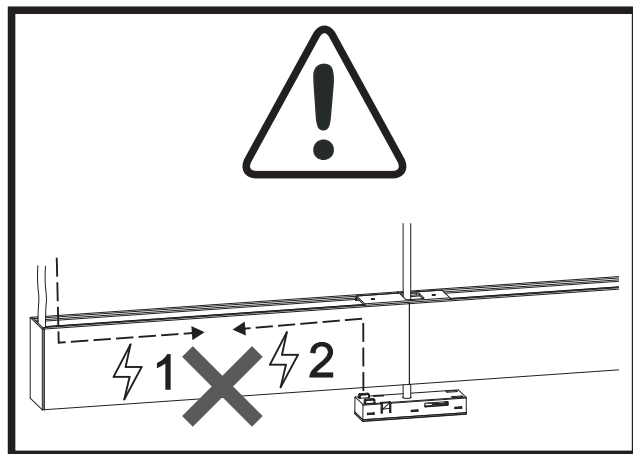
60-CDS  
Surface mounted  
reinforced plate

# SURFACE MOUNTED TRACK - INSTALL INSTRUCTIONS

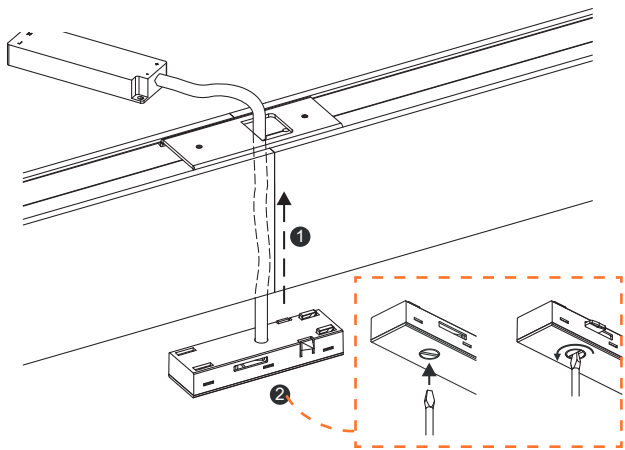
4



20-CDS Recessed straight circuit joint 2m power cable

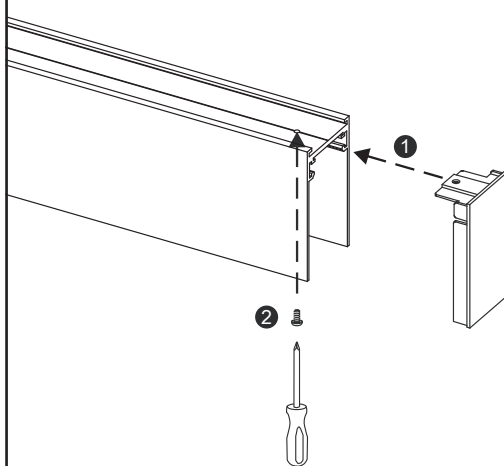


5



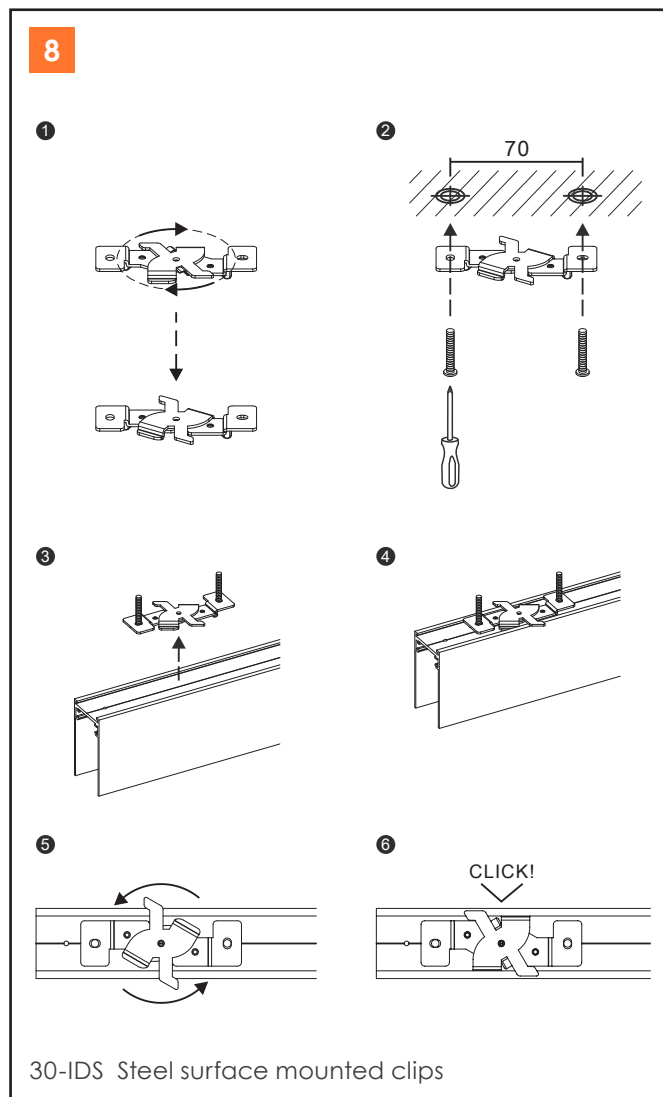
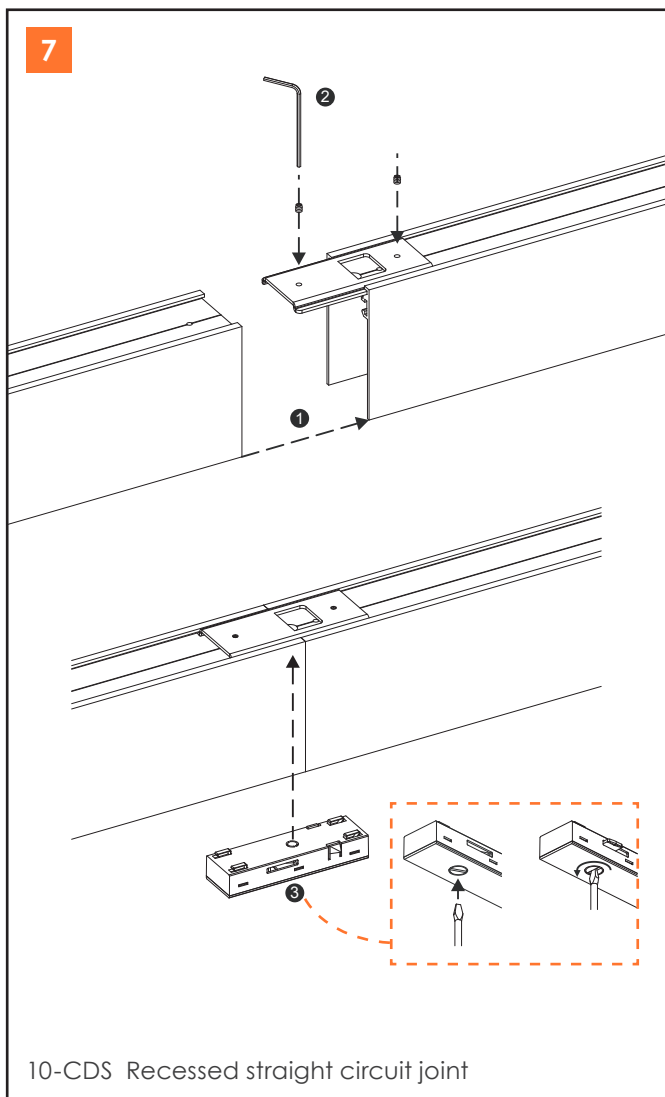
20-CDS Recessed straight circuit joint 2m power cable

6



40-CDS End cap

## SURFACE MOUNTED TRACK - INSTALL INSTRUCTIONS



 01189 889414

 [enquiries@dld-contract.co.uk](mailto:enquiries@dld-contract.co.uk)

 [dld-contract.co.uk](http://dld-contract.co.uk)

DLD Contract Ltd  
Unit 9 Brookside Business Centre  
Church Road  
Swallowfield  
Reading  
Berkshire  
RG7 1TH