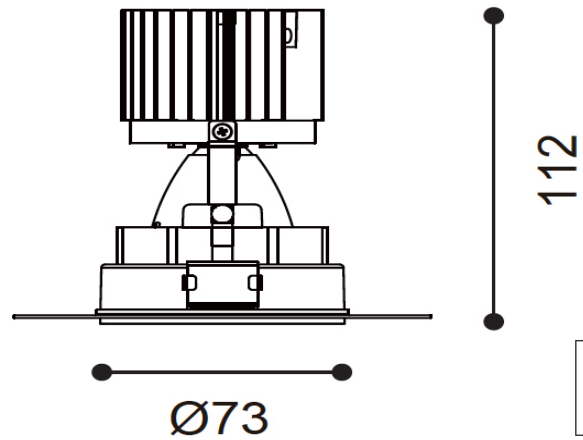


## EIGER 1-R

LED PLASTER-IN IP44 FIXED DOWNLIGHT  
DLD/EIGER1-R/PL/FI

**DLD**  
**CONTRACT**



**Dimensions**  
Ø73mm, H.112mm

**Cutout**  
Ø78mm



- Removable light engine - simple twist mechanism
- IP44
- Complete with phase dimming driver
- Die-cast aluminium luminaire
- Forged aluminium heat sink
- Plastic PC reflector
- Bezel finish: white / black

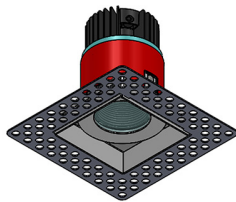
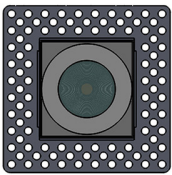
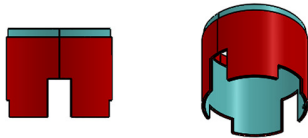
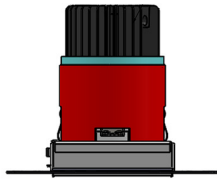
# EIGER 1-R

LED PLASTER-IN IP44 FIXED DOWNLIGHT  
DLD/EIGER1-R/PL/FI

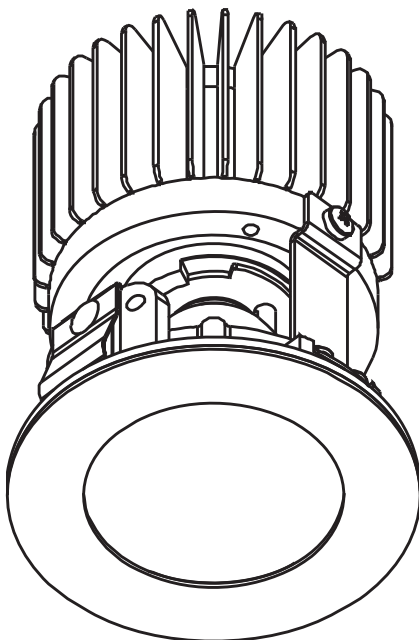


## TECHNICAL OVERVIEW

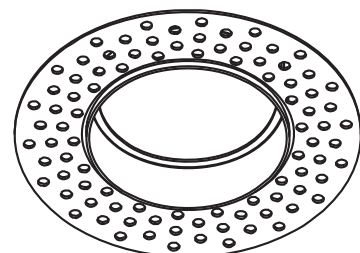
Power	Current	Voltage	LED	IP Rating	Nominal Flux	CCT	Beam Angle	CRI	Dimming
12.9W	350mA	36.7V	CITIZEN	IP44	1456lm	2700°K	20°/40°	90+	Yes
12.9W	350mA	36.7V	CITIZEN	IP44	1524lm	3000°K	20°/40°	90+	Yes
12.9W	350mA	36.7V	CITIZEN	IP44	1576lm	4000°K	20°/40°	90+	Yes



Fire rated canister diagram



Fixed **IP44**  
H. 112mm



Ø73mm  
cutout: Ø78mm

## EIGER 1-R

LED PLASTER-IN IP44 FIXED DOWNLIGHT  
DLD/EIGER1-R/PL/FI

**DLD**  
**CONTRACT**

### PRODUCT CODE CONSTRUCTION

EIGER 1-R LED IP44 PLASTER IN FIXED DOWNLIGHT

DLD/EIGER1-R/PL/FI / [X] / [X] / [X] / [X] / [X]

FIRE RATED:

[--] [FRC]

None Fire rated canister

LIGHT COLOUR TEMPERATURE (CCT):

[27K] [30K] [40K]

2700°K 3000°K 4000°K

BEAM ANGLE:

[20D] [40D]

20° 40°

WATTAGE:

[13W]

12.9W

FINISH:

[WH] [BK]

White Black



01189 889414



enquiries@dld-contract.co.uk



dld-contract.co.uk

DLD Contract Ltd  
Unit 9 Brookside Business Centre  
Church Road  
Swallowfield  
Reading  
Berkshire  
RG7 1TH