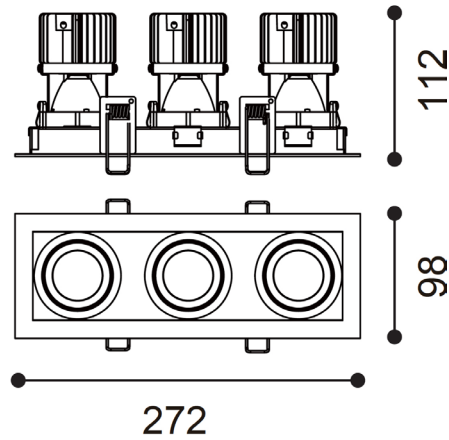
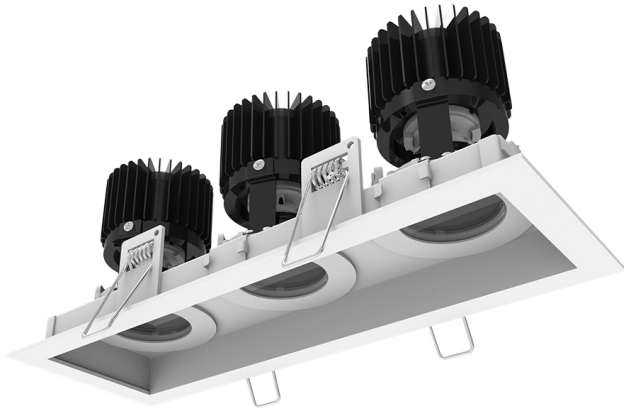


## EIGER 3

LED IP44 RECESSED FIXED DOWNLIGHT  
DLD/EIGER3/FI

**DLD**  
**CONTRACT**



**Dimensions**  
272 x 98mm, H.112mm

**Cutout**  
260 x 86mm



- Removable light engine - simple twist mechanism
- IP44
- Complete with phase dimming driver
- Die-cast aluminium luminaire
- Forged aluminium heat sink
- Plastic PC reflector
- Bezel finish: white / black

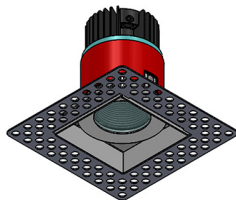
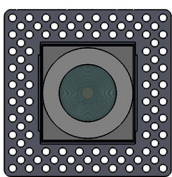
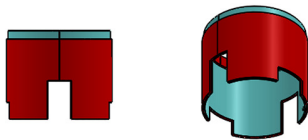
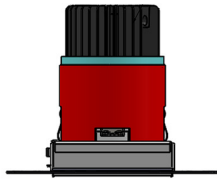
## EIGER 3

LED IP44 RECESSED FIXED DOWNLIGHT  
DLD/EIGER3/FI

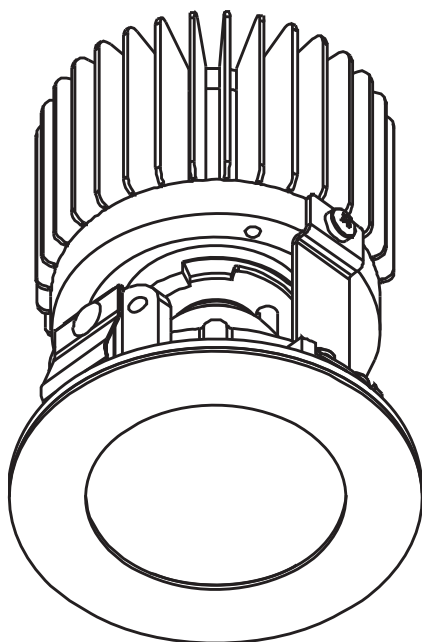
**DLD**  
**CONTRACT**

### TECHNICAL OVERVIEW

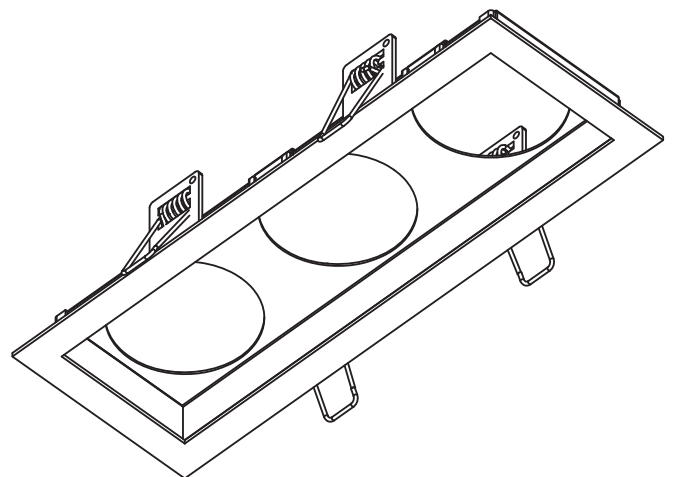
Power	Current	Voltage	LED	IP Rating	Nominal Flux	CCT	Beam Angle	CRI	Dimming
3x 12.9W	350mA	36.7V	CITIZEN	IP44	3x 1456lm	2700°K	3x 20°/40°	90+	Yes
3x 12.9W	350mA	36.7V	CITIZEN	IP44	3x 1524lm	3000°K	3x 20°/40°	90+	Yes
3x 12.9W	350mA	36.7V	CITIZEN	IP44	3x 1576lm	4000°K	3x 20°/40°	90+	Yes



Fire rated canister diagram



3 x Fixed **IP44**  
H. 112mm



272 x 98mm  
cutout: 260 x 86mm

## EIGER 3

LED IP44 RECESSED FIXED DOWNLIGHT  
DLD/EIGER3/FI

**DLD**  
**CONTRACT**

### PRODUCT CODE CONSTRUCTION

EIGER 3 LED IP44 RECESSED FIXED DOWNLIGHT

DLD/EIGER3/FI / **[X]** / **[X]** / **[X]** / **[X]** / **[X]**

FIRE RATED:

**[--]** **[FRC3]**

None 3x Fire rated canister

LIGHT COLOUR TEMPERATURE (CCT):

**[27K]** **[30K]** **[40K]**

2700°K 3000°K 4000°K

BEAM ANGLE:

**[20D]** **[40D]**

20° 40°

WATTAGE:

**[13W]**

12.9W

FINISH:

**[WH]** **[BK]**

White Black



**01189 889414**



**enquiries@dld-contract.co.uk**



**dld-contract.co.uk**

DLD Contract Ltd  
Unit 9 Brookside Business Centre  
Church Road  
Swallowfield  
Reading  
Berkshire  
RG7 1TH